



SLW新系列单级单吸卧式离心泵 (2021版)

SLW NEW SERIES SINGLE-STAGE SINGLE-SUCTION HORIZONTAL CENTRIFUGAL PUMP



上海连成（集团）有限公司
SHANGHAI LIANCHENG (GROUP) CO., LTD.

地址：上海市江桥镇曹安公路3616-3618号
邮编：201812
总机：(021) 59138888
传真：(021) 59136782
800免费咨询电话：800-820-5009
400免费咨询电话：400-188-3339

Address: 3616-3618 Can'an Road, Jiangqiao Shanghai
P.C.: 201812
Switchboard: (021) 59138888
Fax: (021) 59136782
800 Free consultation Tel: 800-820-5009
400 Free consultation Tel: 400-188-3339



连成集团微信订阅号

目 录

CONTENTS

产品概述、产品特点 Outline of the product, Product features	1
主要用途、压力试验 Chief usage, Pressure test	2
工作条件、型号意义 Working conditions, Model meaning	3
结构特征 Structural features	4
SLW(SLWD)型泵结构图 The configuration of SLW(SLWD) type pump	4
泵材质、订货须知 The pump material, Ordering instructions	5
SLW(SLWD)型谱图 The configuration of SLW(SLWD) atlas of style	5
SLW(SLWD)型泵性能参数 SLW(SLWD) type pump performance data	7
SLW(SLWD)型泵安装尺寸图、尺寸表 SLW(SLWD) type pump dimension figure、dimension table	15
SLW(SLWD)型泵安装基础图 SLW(SLWD) type pump installation basic drawing	23
SLW(SLWD)型泵基础尺寸表 SLW(SLWD) type pump installation basic table	23
管路损耗参考表 Reference table for pipeline loss	27

产品概述 Outline of the product

SLW新系列单级单吸卧式离心泵，是本公司采用现代最优秀的水力模型，严格按照国际标准ISO 2858和最新国家标准GB 19726-2007《清水离心泵能效限定值及节能评价值》设计制造的新颖产品。

其性能参数等同于SLS系列泵，产品严格按有关要求组织生产，产品质量稳定，性能可靠，是替代IS型卧式泵、DL型泵等常规产品的新颖卧式离心泵。

分基本型、扩流型、A、B、C切割型等250多种规格。根据流体介质和温度不同，设计制造成同性能参数的SLWR型热水泵、SLWH型化工泵、SLWY型油泵和SLWHY型卧式防爆化工泵系列产品。

SLW new series single-stage single-suction horizontal centrifugal pump is a novel product designed and manufactured by our company with the most excellent modern hydraulic model and in strict accordance with the international standard ISO 2858 and the latest national standard GB 19726-2007 "limited energy efficiency value and energy saving evaluation value of clean water centrifugal pump".

Its performance parameters are the same as SLS series pumps, and the products are produced in strict accordance with relevant requirements. The product quality is stable and the performance is reliable, which is a novel horizontal centrifugal pump to replace IS horizontal pump, DL pump and other conventional products.

There are more than 250 specifications, such as basic type, diffuser type, A, B and C cutting type. According to different fluid medium and temperature, SLWR type heat pump, SLWH type chemical pump, SLWY type oil pump and SLWHY type horizontal explosion-proof chemical pump series with the same performance parameters are designed and manufactured.

产品特点 Product features

1、结构紧凑。该系列泵为卧式结构，机泵一体，外形美观，占地面积少，与普通卧式泵比较占地面积减少30%。

2、运行平稳、噪音低、组件同心度高。电机和泵直联，简化了中间结构，增强了运行的平稳性，叶轮具有良好的动静平衡，运行时振动小，改善了使用环境。

3、无渗漏。轴封采用耐腐硬质合金机械密封，解决了离心泵填料严重渗漏问题，确保了运行场地干净整洁。

4、维修方便。该系列卧式泵为后开门式结构，无须拆卸管路，即可进行检修。

1. Compact structure. This series of pump is horizontal structure, machine pump integration, beautiful appearance, small footprint, compared with the common horizontal pump footprint reduced by 30%.

2. Stable operation, low noise and high concentricity of components. The direct connection between the motor and the pump simplifies the intermediate structure, enhances the stability of operation, and the impeller has a good balance between static and static, small vibration during operation, improving the operating environment.

3. No leakage. The shaft seal adopts anticorrosive hard alloy mechanical seal, which solves the problem of serious leakage of centrifugal pump packing and ensures the operation site is clean and tidy.

4. Convenient maintenance. This series of horizontal pump is rear open door structure, no need to remove the pipeline, can be repaired.

主要用途 Chief usage

1、SLW型卧式离心泵，供输送清水及物理性质类似清水的其他液体之用。使用介质温度80℃以下。适用于工业和城市给排水、高层建筑增压送水、园林喷灌、消防增压、远距离输水、采暖、浴室冷暖水循环增压及设备配套等。

2、SLWR型卧式热水泵，适用于有供热系统的民用及企事业单位的建筑住房供暖及热水增压、循环、输送等生产工艺供热系统，如电站、热电站、余热利用、冶金、化工、防止、木材加工、造纸等工业锅炉高温热水，使用温度100℃以下。

3、SLWH型卧式化工泵，输送不含固体颗粒具有腐蚀性其粘度类似水的液体。适用于轻纺、室友、化工、冶金、电力、造纸、食品、制药和合成纤维等部门。使用温度-20℃~100℃。

4、SLWY型卧式防爆油泵，适用于石油、轻纺、化工、机械等行业输送无腐蚀、易燃、易爆液体，被输送介质温度-20℃~100℃。

介质密度 $\rho < 1000 \text{Kg/m}^3$ 。

5、SLWHY型卧式防爆化工泵输送不含固体颗粒具有腐蚀性其粘度类似水且易燃易爆的液体。适用于石油、轻纺、化工、冶金、矿山、制药和合成纤维等部门，使用温度-20℃~100℃。

1. SLW type horizontal centrifugal pump is used for transporting clean water and other liquids with physical properties similar to clean water. Medium temperature is below 80 °C . It is suitable for industrial and urban water supply and drainage, supercharging water supply in high-rise buildings, sprinkling irrigation in gardens, supercharging fire fighting, long-distance water supply, heating, supercharging water circulation in bathrooms and supporting equipment.

2. SLWR type horizontal hot water pump, suitable for a heating system of enterprises and institutions in civil and building housing heating and hot water pressurization, circulation, production process, such as heating system, such as power plant, thermal power plants, waste heat utilization, metallurgy, chemical industry, prevent, wood processing, paper and other industrial boiler high temperature hot water, using temperature below 100 °C .

3. SLWH type horizontal chemical pump, transport does not contain solid particles with corrosive viscosity similar to water liquid. Suitable for light textile, roommate, chemical industry, metallurgy, electric power, paper making, food, pharmaceutical and synthetic fiber sectors. Operating temperature: -20°C~100°C .

4. SLWY type horizontal explosion-proof oil pump, suitable for oil, textile, chemical, machinery and other industries to transport non-corrosive, flammable, explosive liquid, medium temperature -20°C~100°C .

P is $\rho < 1000 \text{Kg/m}^3$.

5. SLWHY type horizontal explosion-proof chemical pump transport does not contain solid particles with corrosive viscosity similar to water and flammable explosive liquid. Suitable for petroleum, light textile, chemical industry, metallurgy, mining, pharmaceutical and synthetic fiber and other sectors, using temperature -20°C~100°C .

压力试验 Pressure test

设计压力 (泵扬程) Design pressure (pump head)	测试压力 The test pressure	承压零件材质 Material of pressure bearing parts
≤0.8MPa	(0.2+设计压力 Design pressure) × 1.3	灰铁 Grey iron (HT200)
>0.8MPa	设计压力 Design pressure × 1.3	灰铁 Grey iron (HT200)

做整机静压力测试，持续5min，不得有渗漏、冒汗等现象。

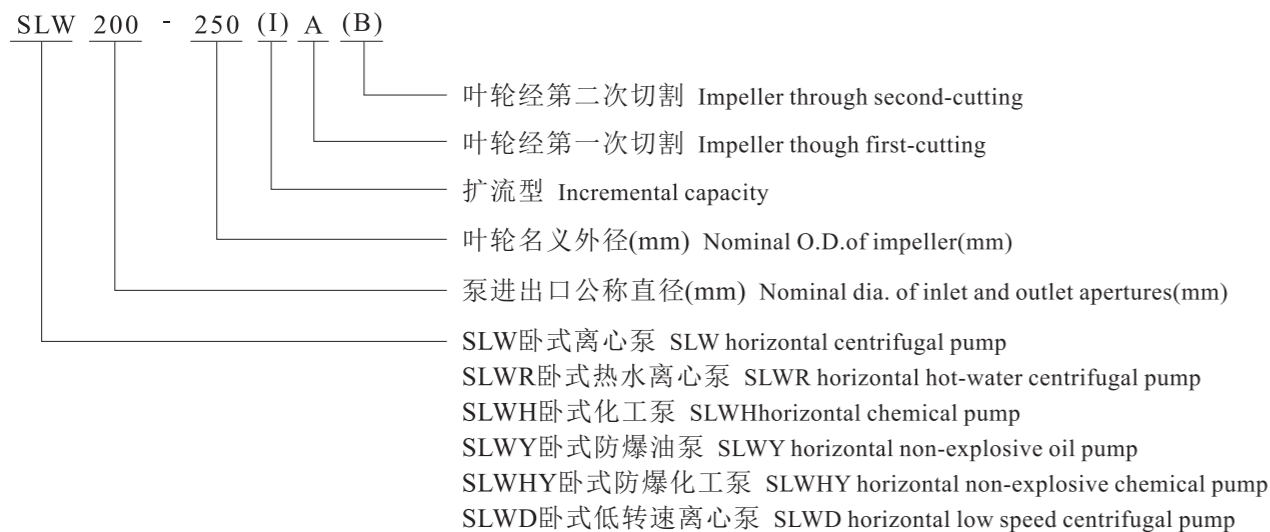
Do static pressure test for the whole machine for 5min, no leakage, sweat and other phenomena.

工作条件 Working conditions

- 1、转 速：2950r/min、1480r/min、980r/min
电 压：380V
口 径：25~500mm
流量范围：1.9~2400m³/h
扬程范围：4.5~160m
介质温度：-10℃~80℃
- 2、泵最大工作压力(最大允许进口压力+泵设计压力) < 1.6MPa，订货请注明系统工作压力；最大允许进口压力0.4 MPa；
- 3、适应介质：清水介质、无腐蚀性液体。介质固体不溶物，其体积不超过单位体积的0.1%，粒度 < 0.2mm，如介质为带有细小颗粒的请在订货时说明；
- 4、周围环境温度不超过40℃；相对湿度不超过95%；海拔高度小于1000m。
- 5、泵进、出口法兰尺寸相同，可选配PN16-GB/T 9119-2010配对法兰。
- 6、必须汽蚀余量值是设计点值，实际使用应加0.5m的安全裕量。
- 7、相关使用条件不符合样本的选型时须同公司技术部门联系。

1. Speed: 2950r/min, 1480r/min, 980r/min
Voltage: 380V
Aperture: 25~500mm
Flow range: 1.9~2400m³/h
Head range: 4.5~160m
Medium temperature: -10℃ ~ 80℃
2. The maximum working pressure of the pump (maximum allowable inlet pressure + pump design pressure) < 1.6MPa, please indicate the working pressure of the system for ordering; The maximum allowable inlet pressure is 0.4MPa;
3. Suitable medium: water medium, non-corrosive liquid. Medium solid insoluble matter, its volume does not exceed 0.1% of the unit volume, particle size < 0.2mm, if the medium is with small particles, please explain when ordering;
4. Ambient temperature no more than 40 ° C; Relative humidity should not exceed 95%; The altitude is less than 1000m.
5. Pump inlet and outlet flanges have the same size, PN16-GB /T 9119-2010 matching flange is optional.
6. The required cavitation residual value is the design point value, and a safety margin of 0.5m should be added in actual use.
7. Contact the technical department of the company if the relevant operating conditions do not meet the selection of samples.

型号意义 Model meaning

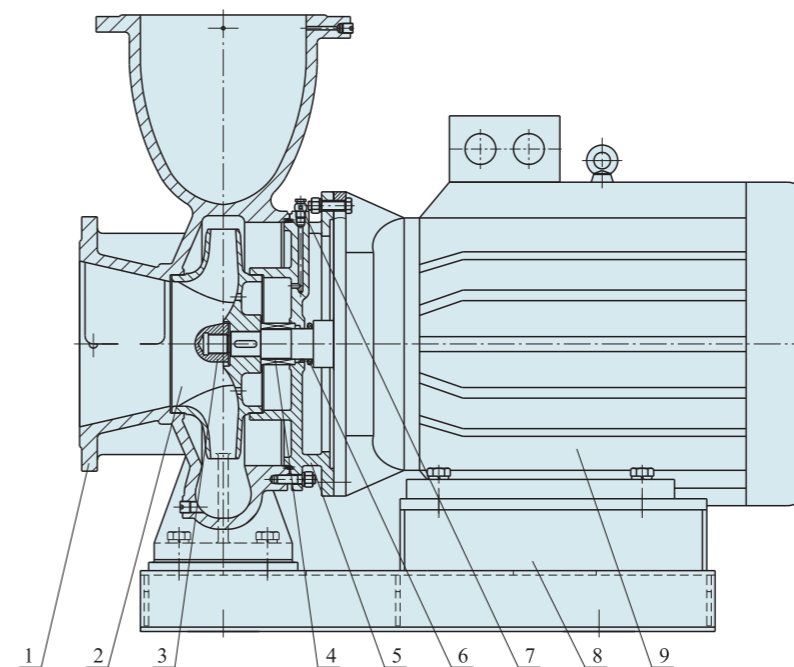


结构特征 Structural features

- 泵为单级单吸离心泵，安装形式为卧式。
- 泵壳
底脚支撑形式的螺旋形蜗壳，采用现代优秀水力模型设计制造，水平吸入，上方输出，且口径相同。法兰符合GB/T 17241.6-2008并可选配Rp1/4或Rp3/8测压口。
- 叶轮
闭式叶轮，优秀的水力模型保证泵的效率 and 可靠性，部分改进型号泵的功率较上一代下降一档。
- 电机
采用YE3系列超高效三相异步电动机，功率和形式符合IEC-Norm。
形式：B35(卧式泵)
电源：380V, 50HZ
防护等级：F
电机轴：45#钢镶套（连成专利）
转向：从泵进口方向看为逆时针旋向。

- The pump is a single-stage single-suction centrifugal pump, and the installation is horizontal.
- the pump casing
Helical volute in the form of foot support, designed and manufactured by modern excellent hydraulic model, horizontal suction, upper output, and the same caliber. Flange conforms to GB/T 17241.6-2008 and can be equipped with Rp1/4 or Rp3/8 pressure port.
- The impeller
Closed impeller, excellent hydraulic model to ensure the efficiency and reliability of the pump, some improved pump power than the previous generation down a gear.
- Motor
YE3 series super-efficient three-phase asynchronous motor is adopted, whose power and form are in conformity with IEC Norm.
Form: B35(horizontal pump)
Power supply: 380V, 50HZ
Protection level: F
Motor shaft: 45# steel sleeve (continuous patent)
Turning: the direction from the pump inlet is counterclockwise.

SLW(SLWD)型泵结构图 The configuration of SLW(SLWD) type pump



序号 No.	名称 Name	数量 Quantity
1	泵体 Pump casing	1
2	叶轮 Impeller	1
3	叶轮螺母 Impeller nut	1
4	机械密封 Mechanical seal	1
5	泵盖 Pump cover	1
6	挡水圈 Water-bloching ring	1
7	放气阀 Air discharge valve	1
8	底座 Foundation	1
9	电机 Motor	1

泵材质 The pump material

泵体——铸铁 (HT200)

泵盖——铸铁 (HT200)

叶轮——铸铁 (HT200)

泵轴——45#钢镶套 (连成专利)

机封——石墨、碳化硅

注：上述材质为常规配置，相关材质可按客户要求予以变更。

Pump body -- cast iron (HT200)

Pump cover -- cast iron (HT200)

Impeller -- cast iron (HT200)

Pump shaft -- 45# steel sleeve (continuous patent)

Machine seal -- graphite, silicon carbide

Note: the above materials are conventional configuration, related materials can be changed according to customer requirements.

订货须知 Ordering instructions

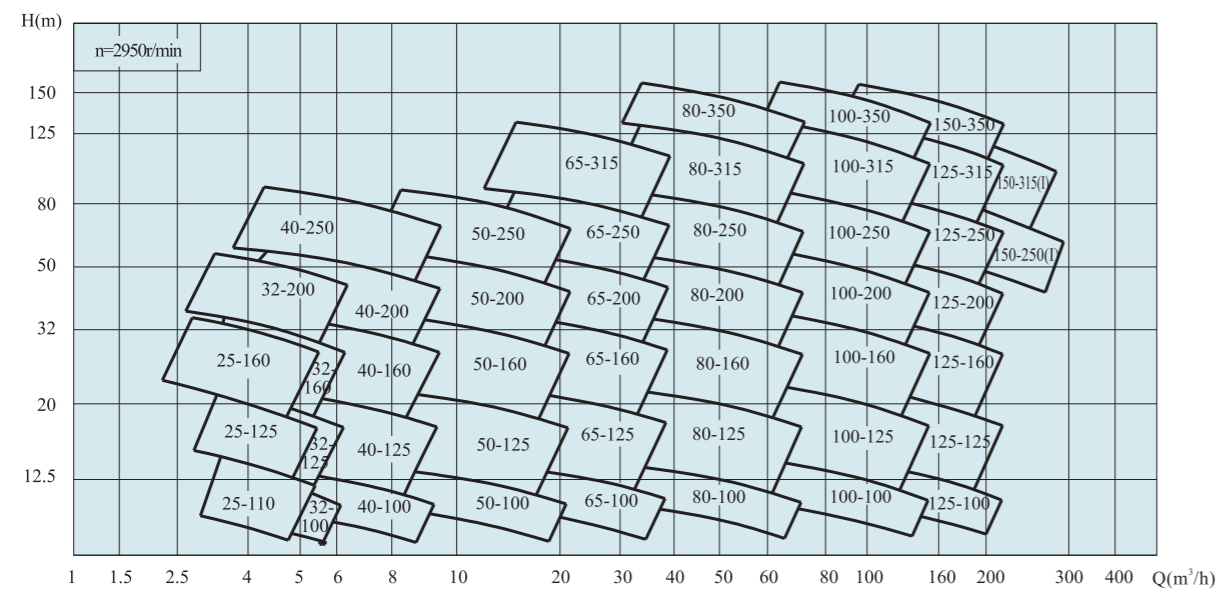
1、输送特殊液体时，请在合同中注明液体名称，温度、密度、浓度、粘性等；

2、对流量、扬程、进口压力，电机电压、频率、防爆等有特殊要求时，均需在合同签订前同技术部门沟通确认，并在合同中注明。

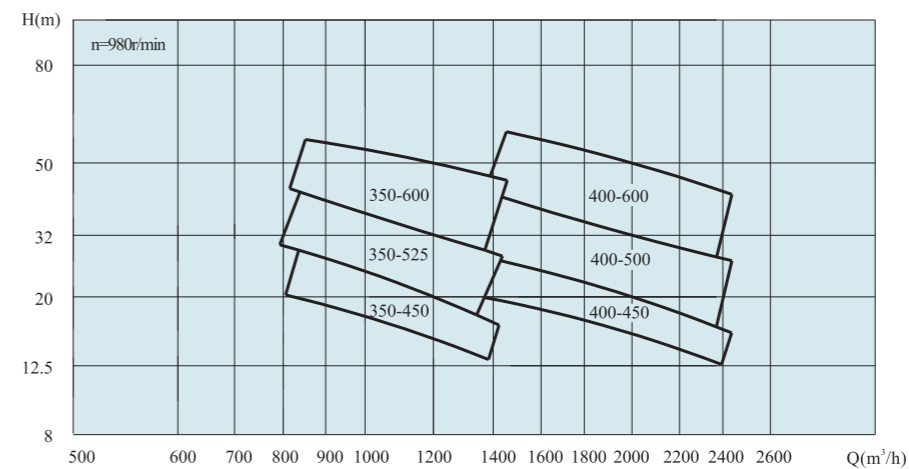
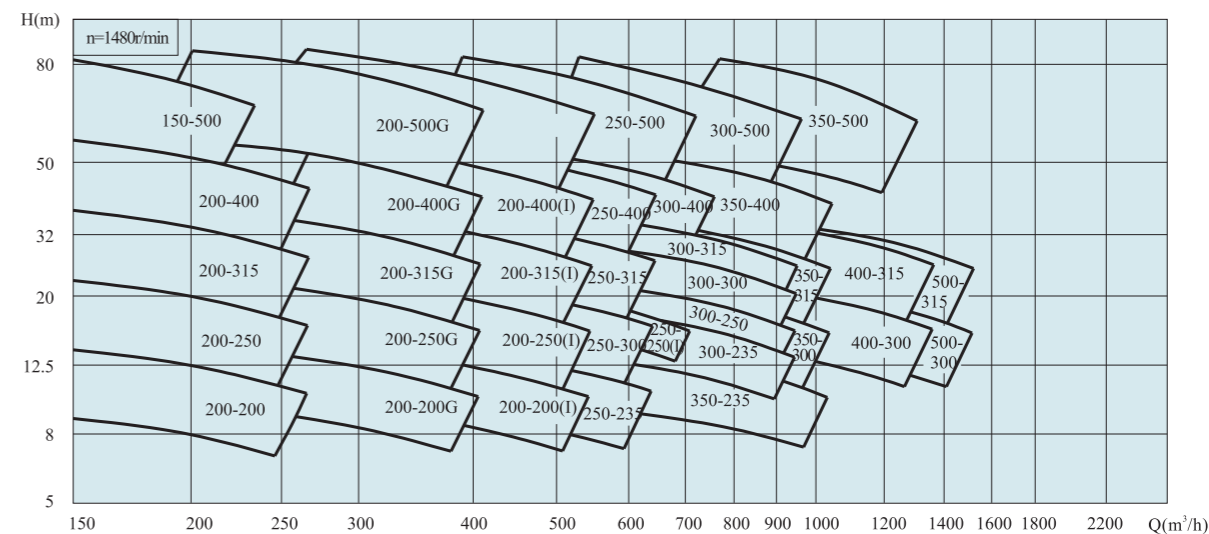
1. Please indicate the name of the liquid, temperature, density, concentration, viscosity, etc. in the contract when transporting special liquid;

2. Special requirements for flow rate, head, inlet pressure, motor voltage, frequency, explosion proof, etc. communicate and confirm with technical department before signing the contract, and indicate in the contract.

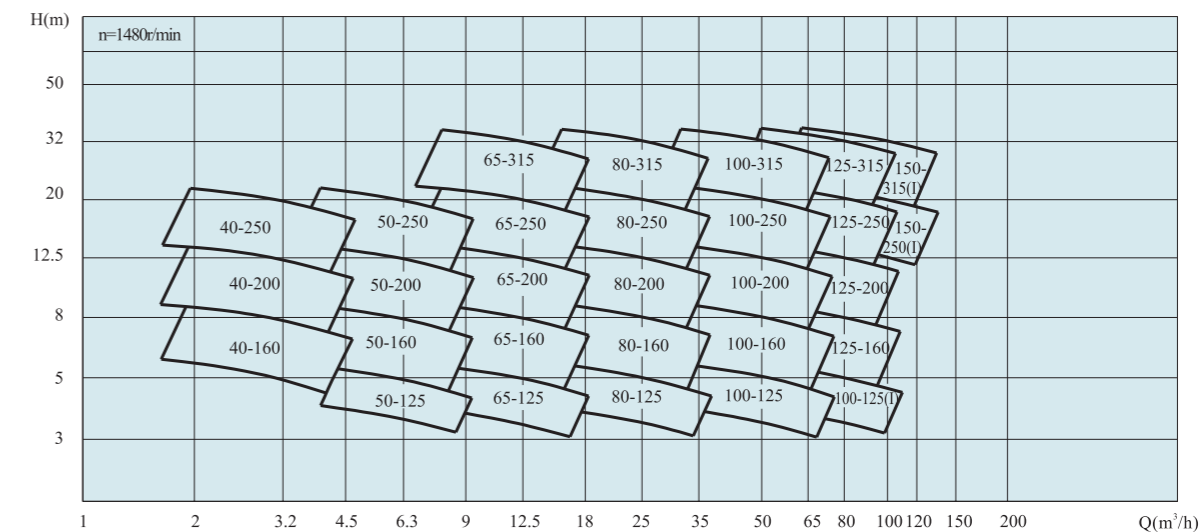
SLW型谱图 SLW atlas of style



SLW型谱图 SLW atlas of style



SLWD型谱图 SLWD atlas of style



SLW型泵性能参数 SLW type pump performance data

型号 Type	流量 Capacity		扬程 Head (m)	电机 功率 Power (kW)	转速 Speed (r/min)	效率 Eff. (%)	必需汽 蚀余量 (NPSH) _r (m)	重量 Weight (Kg)
	(m³/h)	(L/s)						
SLW25-110	2.8 4 4.8	0.78 1.11 1.33	16 15 13.5	0.55	2950	39	2.3	35
SLW25-125	2.8 4 4.8	0.78 1.11 1.33	20.6 20 18	0.75	2950	40	2.3	42
SLW25-125A	2.5 3.6 4.3	0.69 1 1.19	17 16 14.4	0.55	2950	39	2.3	41
SLW25-160	2.8 4 4.8	0.78 1.11 1.33	33 32 30	1.5	2950	31	2.3	51
SLW25-160A	2.6 3.7 4.4	0.72 1.03 1.22	29 28 26	1.1	2950	30	2.3	48
SLW32-100	3.5 4.5 5.3	0.97 1.25 1.47	14.5 12.5 11	0.55	2950	48	2.3	54
SLW32-125	3.5 5 6	0.97 1.39 1.67	22 20 18	0.75	2950	45	2.3	57
SLW32-125A	3.1 4.5 5.4	0.86 1.25 1.50	17.6 16 14.4	0.55	2950	44	2.3	56
SLW32-160	3.5 4.5 6	0.97 1.25 1.67	34 32 26	1.5	2950	34.1	2.3	62
SLW32-160A	3.5 4.5 6	0.97 1.25 1.67	26.5 25 19	1.1	2950	38.4	2.3	58
SLW32-200	3.5 4.5 5.5	0.97 1.25 1.53	53 50 45	3	2950	24.5	2.3	75
SLW32-200A	3 4 5	1.08 1.11 1.17	43 40 37	2.2	2950	26.3	2.3	67
SLW40-100	4.4 6.3 7.6	1.22 1.75 2.11	13.2 12.5 11.3	0.55	2950	56.2	2.3	41
SLW40-100A	3.9 5.6 6.7	1.08 1.56 1.86	10.6 10.0 9.0	0.37	2950	55.0	2.3	40
SLW40-125	4.4 6.3 7.6	1.22 1.75 2.11	21.0 20.0 18.0	1.1	2950	50.2	2.3	45
SLW40-125A	3.9 5.6 6.7	1.08 1.56 1.86	17.6 16.0 14.4	0.75	2950	50.0	2.3	43
SLW40-160	4.4 6.3 7.6	1.22 1.75 2.11	33.0 32.0 30.0	2.2	2950	43.3	2.3	56
SLW40-160A	4.1 5.9 7.0	1.14 1.64 1.97	29.0 28.0 26.3	1.5	2950	43.0	2.3	51
SLW40-160B	3.8 5.5 6.7	1.06 1.53 1.86	25.5 24.0 22.5	1.1	2950	42.0	2.3	48
SLW40-200	4.4 6.3 7.6	1.23 1.75 2.11	51.0 50.0 48.0	4	2950	34.8	2.3	74
SLW40-200A	4.1 5.9 7.0	1.14 1.64 1.94	45.0 44.0 42.0	3	2950	34.0	2.3	73
SLW40-200B	3.7 5.3 6.4	1.03 1.47 1.78	37.0 36.0 34.5	2.2	2950	33.0	2.3	68

型号 Type	流量 Capacity		扬程 Head (m)	电机 功率 Power (kW)	转速 Speed (r/min)	效率 Eff. (%)	必需汽 蚀余量 (NPSH) _r (m)	重量 Weight (Kg)
	(m³/h)	(L/s)						
SLW40-250	4.4 6.3 7.6	1.22 1.75 2.11	82.0 80.0 74.0	7.5	2950	25.4	2.3	108
SLW40-250A	4.1 5.9 7.0	1.14 1.64 1.94	72.0 70.0 65.0	5.5	2950	25.0	2.3	102
SLW40-250B	3.8 5.5 6.7	1.07 1.53 1.86	61.5 60.0 56.0	4	2950	25.0	2.3	101
SLW50-100	8.8 12.5 15.0	2.44 3.47 4.17	13.6 12.5 11.3	1.1	2950	66.2	2.3	40
SLW50-100A	8.0 11.0 13.2	2.22 3.05 3.67	11.0 10.0 9.0	0.75	2950	66.0	2.3	38
SLW50-125	8.8 12.5 15.0	2.44 3.47 4.17	21.5 20.0 17.8	1.5	2950	62.1	2.3	45
SLW50-125A	8.0 11.0 13.2	2.22 3.05 3.66	17.0 16.0 14.0	1.1	2950	61.0	2.3	42
SLW50-160	8.8 12.5 15.0	2.43 3.47 4.17	33.0 32.0 30.0	3	2950	56.0	2.3	66
SLW50-160A	8.2 11.7 14.0	2.28 3.25 3.89	29.0 28.0 26.0	2.2	2950	55.0	2.3	58
SLW50-160B	7.3 10.4 12.5	2.03 2.89 3.47	23.0 22.0 20.0	1.5	2950	55.0	2.3	57
SLW50-200	8.8 12.5 15.0	2.43 3.47 4.17	52.0 50.0 48.0	5.5	2950	49.5	2.3	94
SLW50-200A	8.3 11.7 14.0	2.31 3.25 3.89	45.8 44.0 42.0	4	2950	49.0	2.3	72
SLW50-200B	7.3 10.4 12.5	2.02 2.89 3.47	37.0 36.0 34.0	3	2950	48.0	2.3	65
SLW50-250	8.8 12.5 15.0	2.44 3.47 4.17	82.0 80.0 77.0	11	2950	40.5	2.3	172
SLW50-250A	8.2 11.6 14.0	2.28 3.22 3.90	71.5 70.0 68.0	7.5	2950	40.0	2.3	171
SLW50-250B	7.6 10.8 13.0	2.10 3.00 3.61	61.4 60.0 58.0	7.5	2950	40.0	2.3	130
SLW65-100	17.5 25.0 30.0	4.86 6.94 8.33	13.7 12.5 10.5	1.5	2950	65.5	2.5	50
SLW65-100A	15.6 22.3 27.0	4.30 6.19 7.50	11.0 10.0 8.4	1.1	2950	65.0	2.5	47
SLW65-125	17.5 25.0 30.0	4.86 6.94 8.33	21.5 20.0 18.0	3	2950	71.4	2.5	70
SLW65-125A	15.6 22.3 27.0	4.30 6.19 7.50	17.0 16.0 14.4	2.2	2950	65.0	2.5	64
SLW65-160	17.5 25.0 30.0	4.86 6.94 8.33	34.3 32.0 27.5	4	2950	66.7	2.5	80
SLW65-160A	16.4 23.4 28.0	4.56 6.50 7.78	30.0 28.0 24.0	4	2950	66.0	2.5	78

SLW型泵性能参数 SLW type pump performance data

型号 Type	流量 Capacity		扬程 Head (m)	电机 功率 Power (kW)	转速 Speed (r/min)	效率 Eff. (%)	必需汽 蚀余量 (NPSH) _r (m)	重量 Weight (Kg)
	(m³/h)	(L/s)						
SLW65-160B	15.0 21.6 26.0	4.17 6.00 7.22	26.0 24.0 20.6	3	2950	65.0	2.5	72
SLW65-200	17.5 25.0 30.0	4.86 6.94 8.33	52.7 50.0 45.5	7.5	2950	59.0	2.5	110
SLW65-200A	16.4 23.4 28.0	4.55 6.50 7.78	46.4 44.0 40.0	7.5	2950	59.0	2.5	105
SLW65-200B	15.2 21.8 26.2	4.22 6.06 7.27	40.0 38.0 34.5	5.5	2950	59.0	2.5	102
SLW65-250	17.5 25.0 30.0	4.86 6.94 8.33	82.0 80.0 76.5	15	2950	52.0	2.5	193
SLW65-250A	16.4 23.4 28.0	4.56 6.60 7.78	71.4 70.0 67.0	11	2950	52.0	2.5	192
SLW65-250B	15.0 21.6 26.0	4.17 6.00 7.22	61.5 60.0 57.4	11	2950	52.0	2.5	182
SLW65-315	17.5 25.0 30.0	4.96 6.94 8.33	129.0 125.0 118.0	30	2950	44.0	2.5	312
SLW65-315A	15.4 23.4 28.0	4.56 6.60 7.78	117.0 113.0 108.0	22	2950	44.0	2.5	310
SLW65-315B	15.0 21.6 26.0	4.17 6.00 7.22	105.0 101.0 94.0	18.5	2950	44.0	2.5	249
SLW80-100	35.0 50.0 60.0	9.73 13.90 16.70	13.8 12.5 10.0	3	2950	73.0	3.0	89
SLW80-100A	31.3 44.7 53.6	8.70 12.42 14.90	11.0 10.0 8.0	2.2	2950	73.0	3.0	85
SLW80-125	35.0 50.0 60.0	9.72 13.90 16.67	22.0 20.0 17.0	5.5	2950	76.9	3.0	106
SLW80-125A	31.3 45.0 54.0	8.69 12.50 15.00	17.5 16.0 13.6	4	2950	76.4	3.0	88
SLW80-160	35.0 50.0 60.0	9.73 13.90 16.70	35.0 32.0 28.0	7.5	2950	75.4	3.0	126
SLW80-160A	32.7 46.7 56.0	9.08 12.97 15.57	29.4 28.0 25.2	7.5	2950	75.0	3.0	124
SLW80-160B	30.3 43.3 52.0	8.40 12.00 14.44	26.0 24.0 21.0	5.5	2950	75.0	3.0	118
SLW80-200	35.0 50.0 60.0	9.73 13.90 16.67	53.5 50.0 45.0	15	2950	71.4	3.0	176
SLW80-200A	32.8 47.0 56.4	9.10 13.10 15.70	47.0 44.0 40.0	11	2950	70.0	3.0	167
SLW80-200B	30.5 43.5 52.0	8.50 12.10 14.40	40.6 38.0 33.4	7.5	2950	70.0	3.0	166
SLW80-250	35.0 50.0 60.0	9.73 13.90 16.70	83.0 80.0 72.0	22	2950	63.0	3.0	287
SLW80-250A	32.7 46.7 56.0	9.00 13.00 15.60	73.0 70.0 63.0	18.5	2950	63.0	3.0	224

型号 Type	流量 Capacity		扬程 Head (m)	电机 功率 Power (kW)	转速 Speed (r/min)	效率 Eff. (%)	必需汽 蚀余量 (NPSH) _r (m)	重量 Weight (Kg)
	(m³/h)	(L/s)						
SLW80-250B	30.0 43.3 52.0	8.30 12.00 14.40	62.0 60.0 54.0	15	2950	63.0	3.0	218
SLW80-315	35.0 50.0 60.0	9.72 13.90 16.70	129.0 125.0 118.0	37	2950	57.0	3.0	418
SLW80-315A	32.5 46.7 56.0	9.00 13.00 15.60	117.0 113.0 106.0	30	2950	57.0	3.0	380
SLW80-315B	30.0 43.3 52.0	8.30 11.10 14.40	105.0 101.0 94.0	30	2950	57.0	3.0	367
SLW80-315C	28.0 40.0 48.0	7.77 11.10 13.30	88.0 85.0 78.0	22	2950	57.0	3.0	368
SLW80-350	35.0 50.0 60.0	9.72 13.90 16.70	156.0 150.0 140.0	55	2950	54.0	3.0	541
SLW80-350A	30.8 44.0 52.8	8.56 12.20 14.70	148.0 142.0 135.0	45	2950	52.8	3.0	420
SLW80-350B	28.0 40.0 46.0	7.78 11.10 12.80	142.0 135.0 128.0	37	2950	52.0	3.0	382
SLW100-100	70.0 100.0 120.0	19.40 27.80 33.30	13.6 12.5 11.0	5.5	2950	78.0	4.5	112
SLW100-100A	62.6 89.0 107.0	17.40 24.70 29.70	11.0 10.0 8.8	4	2950	78.0	4.5	92
SLW100-125	70.0 100.0 120.0	19.40 27.80 33.30	23.5 20.0 14.0	11	2950	80.0	4.5	159
SLW100-125A	52.6 89.0 107.0	14.40 24.70 29.70	19.0 16.0 11.0	7.5	2950	79.0	125.0	118
SLW100-160	70.0 100.0 120.0	19.40 27.80 33.30	36.5 32.0 24.0	15	2950	79.0	4.5	185
SLW100-160A	65.4 93.5 112.0	18.20 26.00 31.10	32.0 28.0 21.0	11	2950	79.0	4.5	178
SLW100-160B	60.6 86.6 104.0	16.80 24.10 28.90	27.0 24.0 18.0	11	2950	79.0	4.5	177
SLW100-200	70.0 100.0 120.0	19.40 27.80 33.30	54.0 50.0 42.0	22	2950	79.0	4.0	275
SLW100-200A	65.4 93.5 112.0	18.20 26.00 31.10	47.5 44.0 37.0	18.5	2950	79.0	4.0	246
SLW100-200B	61.0 87.0 104.0	16.90 24.20 28.90	41.0 38.0 32.0	15	2950	79.0	4.0	234
SLW100-250	70.0 100.0 120.0	19.40 27.60 33.30	87.0 80.0 68.0	37	2950	75.0	4.0	355
SLW100-250A	65.4 93.5 112.0	18.20 26.00 31.10	76.0 70.0 59.0	30	2950	75.0	4.0	333
SLW100-250B	61.0 87.0 104.0	16.90 24.20 28.90	65.0 60.0 50.0	30	2950	75.0	4.0	330
SLW100-315	70.0 100.0 120.0	19.40 27.80 33.30	129.0 125.0 118.0	75	2950	69.0	4.0	653

SLW型泵性能参数 SLW type pump performance data

型号 Type	流量 Capacity		扬程 Head (m)	电机 功率 Power (kW)	转速 Speed (r/min)	效率 Eff. η (%)	必需汽 蚀余量 (NPSH) _r (m)	重量 Weight (Kg)
	(m³/h)	(L/s)						
SLW100-315A	66.0 95.0 114.0	18.30 26.40 31.70	117.0 113.0 106.0	55	2950	69.0	4.0	554
SLW100-315B	63.0 90.0 108.0	17.50 25.00 30.00	105.0 101.0 94.0	45	2950	69.0	4.0	553
SLW100-315C	58.0 82.0 98.5	16.10 22.80 27.30	88.0 85.0 78.0	37	2950	69.0	4.0	435
SLW100-350	70.0 100.0 130.0	19.40 27.80 36.10	156.0 150.0 138.0	90	2950	64.2	4.0	664
SLW100-350A	64.0 88.0 113.0	17.80 24.40 31.40	148.0 142.0 134.0	75	2950	63.3	4.0	602
SLW100-350B	56.0 80.0 104.0	15.60 22.20 28.90	140.0 135.0 125.0	75	2950	62.6	4.0	600
SLW125-100	96.0 160.0 192.0	26.70 44.40 53.30	13.0 12.5 12.0	11	2950	75.0	5.5	139
SLW125-100A	86.0 143.0 172.0	23.90 39.70 47.80	10.4 10.0 9.6	7.5	2950	75.0	5.5	138
SLW125-125	96.0 160.0 192.0	26.70 44.40 53.30	22.6 20.0 17.0	15	2950	81.0	5.5	197
SLW125-125A	86.0 143.0 172.0	23.90 39.70 47.80	18.0 16.0 13.6	11	2950	79.0	5.5	188
SLW125-160	96.0 160.0 192.0	26.70 44.40 53.30	36.0 32.0 28.0	22	2950	82.0	5.5	258
SLW125-160A	90.0 150.0 180.0	25.00 41.70 50.00	31.5 28.0 24.5	18.5	2950	81.0	5.5	228
SLW125-160B	83.0 138.0 166.0	21.70 38.30 46.10	27.5 24.0 21.0	15	2950	81.0	5.5	215
SLW125-200	96.0 160.0 192.0	26.70 44.40 53.30	55.0 50.0 46.0	37	2950	82.0	5.5	360
SLW125-200A	90.0 150.0 180.0	25.00 41.70 50.00	48.4 44.0 40.5	30	2950	81.0	5.5	330
SLW125-200B	83.0 138.0 166.0	21.70 38.30 46.10	41.3 37.5 34.5	22	2950	81.0	5.5	300
SLW125-250	96.0 160.0 192.0	26.70 44.40 53.30	87.0 80.0 73.0	55	2950	80.0	5.0	564
SLW125-250A	90.0 150.0 180.0	25.00 41.70 50.00	74.0 70.0 64.0	45	2950	80.0	5.0	443
SLW125-250B	83.0 138.0 165.6	21.70 38.30 46.10	65.0 60.0 55.0	37	2950	80.0	5.0	404
SLW125-315	96.0 160.0 192.0	26.70 44.40 53.30	129.0 125.0 118.0	90	2950	76.0	5.0	664
SLW125-315A	90.0 150.0 180.0	25.00 41.70 50.00	115.0 110.0 105.0	75	2950	76.0	5.0	608
SLW125-315B	86.0 143.0 172.0	23.90 39.70 47.80	105.0 100.0 94.0	75	2950	76.0	5.0	607

型号 Type	流量 Capacity		扬程 Head (m)	电机 功率 Power (kW)	转速 Speed (r/min)	效率 Eff. η (%)	必需汽 蚀余量 (NPSH) _r (m)	重量 Weight (Kg)
	(m³/h)	(L/s)						
SLW150-125	112.0 160.0 192.0	31.10 44.40 53.30	22.8 20.0 17.0	15	2950	79.1	4.0	204
SLW150-125A	105.0 150.0 180.0	29.20 41.70 50.00	18.5 16.0 13.6	11	2950	77.6	4.0	196
SLW150-160	112.0 160.0 192.0	31.10 44.40 53.30	35.0 32.0 28.0	22	2950	80.1	4.0	250
SLW150-160A	105.0 150.0 180.0	29.20 41.70 50.00	31.5 28.0 24.5	18.5	2950	79.8	4.0	220
SLW150-160B	98.0 140.0 168.0	27.20 38.90 46.70	27.0 24.0 21.0	15	2950	79.5	4.0	210
SLW150-200	140.0 200.0 240.0	38.90 55.60 66.70	13.8 12.5 10.6	15	1480	82.0	3.0	255
SLW150-200A	125.0 179.0 215.0	34.70 49.70 59.70	11.0 10.0 8.5	11	1480	82.0	3.0	243
SLW150-200B	112.0 160.0 192.0	31.11 44.44 53.33	9.2 8.0 6.8	7.5	1480	81.0	3.0	188
SLW150-250	140.0 200.0 240.0	38.90 55.60 66.70	21.8 20.0 17.0	18.5	1480	82.8	3.0	310
SLW150-250A	129.0 184.0 221.0	35.60 51.10 61.40	18.5 17.0 14.4	15	1480	81.8	3.0	258
SLW150-250B	117.0 167.0 200.0	32.50 46.40 55.60	15.2 14.0 12.0	11	1480	81.0	3.0	247
SLW150-250(I)	120.0 200.0 240.0	33.30 55.60 66.70	87.0 80.0 72.0	75	2950	79.4	4.5	485
SLW150-250(I)A	112.0 187.0 224.0	31.10 51.90 62.20	76.0 70.0 63.0	55	2950	79.7	4.5	384
SLW150-250(I)B	104.0 173.0 208.0	26.90 48.10 57.80	65.0 60.0 54.0	45	2950	79.8	4.5	260
SLW150-315	140.0 200.0 260.0	38.90 55.60 72.20	33.8 32.0 28.0	30	1480	81.7	3.5	415
SLW150-315A	131.0 187.0 225.0	36.40 51.90 62.50	29.5 28.0 24.5	22	1480	81.7	3.5	354
SLW150-315B	121.1 173.0 207.6	33.64 48.06 57.67	25.8 24.0 20.7	18.5	1480	81.7	3.5	336
SLW150-315(I)	120.0 200.0 240.0	33.30 55.60 66.70	133.0 125.0 120.0	110	2950	75.3	4.5	1274
SLW150-315(I)A	112.0 187.0 224.0	31.10 51.90 62.20	116.0 110.0 105.0	90	2950	76.1	4.5	860
SLW150-315(I)B	104.0 173.0 208.0	28.90 48.10 57.80	100.0 95.0 91.0	75	2950	76.9	4.5	799
SLW150-350	112.0 160.0 192.0	31.10 44.40 53.30	160.0 150.0 138.0	110	2950	70.4	4.5	1153
SLW150-350A	105.0 150.0 180.0	29.20 41.70 50.00	152.0 142.0 130.0	110	2950	70.3	4.5	1152

SLW型泵性能参数 SLW type pump performance data

型号 Type	流量 Capacity		扬程 Head (m)	电机 功率 Power (kW)	转速 Speed (r/min)	效率 Eff. η (%)	必需汽 蚀余量 (NPSH) _r (m)	重量 Weight (Kg)
	(m³/h)	(L/s)						
SLW150-350B	98.0 140.0 168.0	27.20 38.90 46.70	110.0 101.0 90.0	75	2950	73.7	4.5	710
SLW150-400	140.0 200.0 240.0	38.90 55.60 66.70	53.0 50.0 44.0	45	1480	77.0	3.5	510
SLW150-400A	131.0 187.0 225.0	36.40 51.90 62.50	46.6 44.0 38.3	37	1480	77.0	3.5	494
SLW150-400B	122.0 174.0 209.0	33.90 48.30 58.10	40.0 38.0 33.0	30	1480	77.0	3.5	418
SLW150-400C	112.0 160.0 200.0	31.10 44.40 55.50	34.0 32.0 28.0	22	1480	77.0	3.5	365
SLW150-500	140.0 200.0 240.0	38.90 55.60 66.70	85.0 80.0 75.0	75	1480	71.3	4.0	915
SLW150-500A	131.0 187.0 224.0	36.40 51.90 62.30	74.0 70.0 65.0	75	1480	71.0	4.0	914
SLW150-500B	121.0 173.0 208.0	33.60 48.10 57.70	64.0 60.0 55.5	55	1480	71.0	4.0	720
SLW200-200	140.0 200.0 260.0	38.90 55.60 72.20	13.8 12.5 10.6	15	1480	80.8	3.0	302
SLW200-200A	125.0 179.0 232.0	34.70 49.70 64.60	11.0 10.0 8.5	11	1480	80.5	3.0	289
SLW200-250	140.0 200.0 260.0	38.90 55.60 72.20	21.8 20.0 17.0	18.5	1480	80.8	3.0	318
SLW200-250A	129.0 184.0 240.0	35.80 51.20 66.70	18.5 17.0 14.4	15	1480	80.6	3.0	288
SLW200-250B	117.0 167.0 217.0	32.50 46.40 60.40	15.2 14.0 12.0	11	1480	80.2	3.0	275
SLW200-315	140.0 200.0 260.0	38.90 55.60 72.20	33.8 32.0 28.0	30	1480	79.1	3.5	430
SLW200-315A	131.0 187.0 243.0	36.40 51.90 67.50	29.5 28.0 24.5	22	1480	79.5	3.5	385
SLW200-315B	121.0 173.0 225.0	33.60 48.10 62.50	25.5 24.0 20.5	18.5	1480	79.8	3.5	368
SLW200-400	140.0 200.0 260.0	38.90 55.60 72.20	53.0 50.0 46.0	45	1480	74.9	3.5	562
SLW200-400A	131.0 187.0 243.0	36.40 51.90 67.50	46.6 44.0 38.3	37	1480	75.7	3.5	530
SLW200-400B	122.0 174.0 226.0	33.90 48.30 62.90	40.0 38.0 33.0	30	1480	76.7	3.5	517
SLW200-400C	112.0 160.0 208.0	31.30 44.40 57.80	34.0 32.0 28.0	22	1480	77.4	3.5	456
SLW200-200G	210.0 300.0 360.0	58.30 83.30 100.00	13.4 12.5 10.5	18.5	1480	83.5	4.0	334
SLW200-200GA	196.0 280.0 336.0	54.40 77.80 93.3	10.3 10.0 8.5	15	1480	82.0	4.0	302

型号 Type	流量 Capacity		扬程 Head (m)	电机 功率 Power (kW)	转速 Speed (r/min)	效率 Eff. η (%)	必需汽 蚀余量 (NPSH) _r (m)	重量 Weight (Kg)
	(m³/h)	(L/s)						
SLW200-250G	210.0 300.0 360.0	58.30 83.30 100.00	22.2 20.0 14.0	22	1480	84.0	4.0	413
SLW200-250GA	196.0 280.0 336.0	54.40 77.80 93.30	18.0 16.0 11.2	18.5	1480	83.8	4.0	394
SLW200-250GB	182.0 262.0 312.0	50.60 72.80 86.70	14.6 13.0 9.0	15	1480	83.5	4.0	365
SLW200-315G	210.0 300.0 360.0	58.30 83.30 99.96	36.0 32.0 26.0	45	1480	83.8	4.0	545
SLW200-315GA	196.0 280.0 336.0	54.40 77.80 93.30	31.5 28.0 23.0	37	1480	83.8	4.0	487
SLW200-315GB	182.0 262.0 312.0	50.60 72.70 86.70	27.0 24.0 19.5	30	1480	83.0	4.0	475
SLW200-400G	210.0 300.0 360.0	58.30 83.30 100.00	54.5 50.0 39.0	75	1480	81.6	4.0	752
SLW200-400GA	196.0 280.0 336.0	54.40 77.80 93.30	48.0 44.0 34.0	55	1480	81.3	4.0	650
SLW200-400GB	182.0 260.0 312.0	50.60 72.20 86.70	41.4 38.0 29.6	45	1480	82.0	4.0	572
SLW200-400GC	171.0 245.0 294.0	47.50 68.10 81.70	34.9 32.0 25.0	37	1480	80.5	4.0	540
SLW200-500G	210.0 300.0 360.0	58.30 83.30 100.00	85.0 80.0 73.0	110	1480	76.0	4.5	1349
SLW200-500GA	196.0 280.0 336.0	54.40 77.80 93.30	74.0 70.0 64.0	90	1480	76.0	4.5	965
SLW200-500GB	182.0 262.0 312.0	50.60 72.80 86.70	64.0 60.0 54.0	75	1480	76.0	4.5	868
SLW200-500GC	171.0 245.0 294.0	47.50 68.10 81.70	56.0 52.0 48.0	55	1480	76.6	4.5	765
SLW200-200(I)	280.0 400.0 480.0	77.80 111.10 133.30	13.4 12.5 10.5	22	1480	82.0	4.0	350
SLW200-200(I)A	250.6 358.0 429.6	69.40 99.40 119.40	10.3 10.0 8.5	18.5	1480	81.0	4.0	335
SLW200-250(I)	280.0 400.0 480.0	77.80 111.10 133.30	22.2 20.0 14.0	30	1480	84.0	4.0	435
SLW200-250(I)A	250.0 358.0 430.0	69.40 99.40 119.40	18.0 16.0 11.2	22	1480	83.5	4.0	367
SLW200-250(I)B	226.0 322.0 386.0	62.80 89.40 107.20	14.6 13.0 9.0	18.5	1480	82.3	4.0	365
SLW200-315(I)	280.0 400.0 480.0	77.80 111.10 133.30	36.0 32.0					

SLW型泵性能参数 SLW type pump performance data

型号 Type	流量 Capacity		扬程 Head (m)	电机 功率 Power (kW)	转速 Speed (r/min)	效率 Eff. η (%)	必需汽 蚀余量 (NPSH) _r (m)	重量 Weight (Kg)
	(m³/h)	(L/s)						
SLW200-400(I)	280.0 400.0 480.0	77.80 111.10 133.30	54.5 50.0 39.0	75	1480	82.6	4.0	776
SLW200-400(I)A	262.0 374.0 44.9	72.80 103.90 124.70	48.0 44.0 34.0	75	1480	82.8	4.0	680
SLW200-400(I)B	242.0 346.0 415.0	67.20 96.10 115.30	41.4 38.0 29.6	55	1480	83.0	4.0	630
SLW200-400(I)C	224.0 320.0 384.0	62.20 88.90 106.70	34.9 32.0 25.0	45	1480	83.2	4.0	522
SLW200-500(I)	280.0 400.0 480.0	77.80 111.10 133.30	85.0 80.0 73.0	132	1480	78.5	4.5	1440
SLW200-500(I)A	262.0 374.0 449.0	72.80 103.90 124.70	74.0 70.0 64.0	110	1480	78.0	4.5	1346
SLW200-500(I)B	242.0 346.0 415.0	67.20 96.10 115.30	64.0 60.0 54.0	90	1480	78.0	4.5	910
SLW200-500(I)C	224.0 320.0 416.0	62.20 88.90 115.00	53.2 50.0 43.8	75	1480	79.6	4.5	873
SLW250-250(I)	400.0 550.0 670.0	111.00 153.00 186.00	22.0 20.0 16.0	45	1480	83.7	5.5	521
SLW250-250(I)A	350.0 500.0 600.0	97.20 138.00 166.70	19.0 17.0 14.5	37	1480	82.8	5.5	489
SLW250-235	350.0 500.0 600.0	97.22 138.89 166.67	14.0 12.5 10.0	30	1480	80.6	5.5	520
SLW250-300	350.0 500.0 600.0	97.22 138.89 166.67	22.0 20.0 17.5	37	1480	83.6	5.5	510
SLW250-315	400.0 550.0 660.0	111.10 152.80 183.80	34.5 32.0 26.0	75	1480	85.0	5.5	1050
SLW250-315A	364.0 500.0 550.0	101.10 138.90 152.80	31.5 28.0 23.0	55	1480	84.7	5.5	692
SLW250-315B	350.0 500.0 550.0	97.20 138.90 152.80	26.2 25.0 22.5	45	1480	84.7	5.5	596
SLW250-400	400.0 550.0 660.0	111.10 152.80 183.30	54.0 50.0 40.0	110	1480	84.1	5.5	881
SLW250-400A	365.0 500.0 600.0	101.40 138.90 166.70	47.0 44.0 35.0	90	1480	84.0	5.5	880
SLW250-400B	336.0 460.0 552.0	93.30 127.80 153.30	40.0 37.0 30.0	75	1480	83.0	5.5	785
SLW250-500	400.0 550.0 660.0	111.10 152.80 183.30	85.0 80.0 73.0	200	1480	81.6	4.5	1533
SLW250-500A	375.0 515.0 620.0	104.20 143.00 172.20	74.0 70.0 61.2	160	1480	81.0	4.5	1450
SLW250-500B	350.0 480.0 580.0	97.20 133.30 161.10	64.0 60.0 52.5	132	1480	81.0	4.5	1351

型号 Type	流量 Capacity		扬程 Head (m)	电机 功率 Power (kW)	转速 Speed (r/min)	效率 Eff. η (%)	必需汽 蚀余量 (NPSH) _r (m)	重量 Weight (Kg)
	(m³/h)	(L/s)						
SLW300-235	540.0 720.0 900.0	150.00 200.00 250.00	20.5 18.0 15.0	55	1480	82.5	5.0	826
SLW300-235A	450.0 600.0 720.0	125.00 166.00 200.00	17.2 15.0 12.5	45	1480	81.6	5.0	654
SLW300-235B	420.0 540.0 650.0	116.70 150.00 181.00	14.3 12.8 10.5	37	1480	80.6	5.0	622
SLW300-250	500.0 720.0 860.0	138.90 200.00 239.00	23.0 20.0 16.0	55	1480	84.2	6.0	784
SLW300-250A	460.0 660.0 790.0	127.80 183.30 219.40	20.0 17.5 14.0	45	1480	83.6	6.0	710
SLW300-300	540.0 720.0 900.0	150.00 200.00 250.00	32.0 28.0 23.0	75	1480	84.8	5.0	863
SLW300-300A	450.0 600.0 720.0	125.00 166.00 200.00	27.5 24.0 20.0	55	1480	84.2	5.0	795
SLW300-300B	420.0 540.0 650.0	116.70 150.00 181.00	24.0 21.0 17.0	45	1480	83.8	5.0	698
SLW300-315	500.0 720.0 860.0	138.90 200.00 239.00	35.0 32.0 27.0	90	1480	85.5	6.0	975
SLW300-315A	460.0 660.0 790.0	127.80 183.30 219.40	30.0 28.0 23.0	75	1480	85.5	6.0	862
SLW300-315B	420.0 600.0 720.0	116.70 166.70 200.00	25.0 24.0 20.0	55	1480	85.2	6.0	710
SLW300-400	450.0 600.0 720.0	125.00 166.00 200.00	55.0 50.0 42.5	110	1480	84.1	5.0	1340
SLW300-400A	420.0 540.0 650.0	116.70 150.00 181.00	45.0 40.0 35.0	90	1480	83.9	5.0	943
SLW300-450	500.0 720.0 860.0	138.90 200.00 239.00	54.0 50.0 42.0	132	1480	85.8	6.0	1512
SLW300-450A	460.0 660.0 790.0	127.80 183.30 219.40	47.0 44.0 36.0	110	1480	85.5	6.0	1410
SLW300-450B	420.0 600.0 720.0	116.70 166.70 200.00	41.0 38.0 32.0	90	1480	85.2	6.0	1012
SLW300-450C	390.0 560.0 670.0	108.30 155.60 186.10	35.0 32.0 27.0	75	1480	85.0	6.0	915
SLW300-500	500.0 720.0 860.0	138.90 200.00 239.00	86.0 80.0 69.0	250	1480	83.8	6.5	2230
SLW300-500A	465.0 670.0 800.0	129.20 186.10 222.20	75.0 70.0 60.4	200	1480	84.2	6.5	1565
SLW300-500B	430.0 620.0 740.0	119.40 172.20 205.60	64.5 60.0 51.8	160	1480	84.5	6.5	1472
SLW300-500C	425.0 570.0 710.0	118.00 158.30 197.20	53.2 50.0 43.8	110	1480	83.7	5.5	1345
SLW350-235	560.0 800.0 960.0	155.56 222.22 266.67	14.0 12.5 10.5	37	1480	85.0	4.5	723

SLW型泵性能参数 SLW type pump performance data

型号 Type	流量 Capacity		扬程 Head (m)	电机 功率 Power (kW)	转速 Speed (r/min)	效率 Eff. η (%)	必需汽 蚀余量 (NPSH) _r (m)	重量 Weight (Kg)
	(m³/h)	(L/s)						
SLW350-300	560.0 800.0 960.0	155.56 222.22 266.67	22.5 20.0 17.5	75	1480	83.0	4.5	1190
SLW350-315	560.0 800.0 960.0	155.56 222.22 266.67	35.5 32.0 28.5	90	1480	85.0	4.5	1005
SLW350-400	560.0 800.0 960.0	155.56 222.22 266.67	55.0 50.0 45.5	160	1480	85.0	4.5	1775
SLW350-450	900.0 1200.0 1400.0	250.00 333.30 399.96	22.0 20.0 16.0	90	980	86.8	6.0	2190
SLW350-450A	820.0 1100.0 1300.0	227.80 305.60 361.10	19.0 17.0 14.0	75	980	86.0	6.0	1950
SLW350-500	800.0 1000.0 1200.0	222.20 277.80 333.30	85.0 80.0 72.0	315	1480	84.9	4.5	2650
SLW350-525	900.0 1200.0 1400.0	250.00 333.30 399.96	35.0 32.0 26.0	160	980	87.1	6.0	2800
SLW350-525A	820.0 1100.0 1300.0	227.80 305.60 361.10	30.0 28.0 23.0	132	980	86.9	6.0	2200
SLW350-525B	750.0 1000.0 1200.0	208.30 277.80 333.30	26.0 24.0 19.0	110	980	86.7	6.0	2140
SLW350-600	900.0 1200.0 1400.0	250.00 333.30 399.96	53.0 50.0 44.0	250	980	86.6	7.0	2950
SLW350-600A	850.0 1130.0 1320.0	236.10 313.90 366.70	46.8 44.0 38.0	200	980	86.6	6.5	2800
SLW350-600B	790.0 1050.0 1225.0	219.40 291.70 340.30	40.3 38.0 32.7	160	980	86.6	6.5	2700
SLW350-315G	672.0 960.0 1152.0	187.00 267.00 320.40	35.0 32.0 26.0	132	1480	86.5	8.0	1740
SLW350-315GA	602.0 860.0 1032.0	167.00 239.00 287.00	30.0 28.0 23.0	110	1480	86.0	8.0	1600
SLW350-315GB	574.0 820.0 984.0	159.00 228.00 273.00	26.0 24.0 19.0	90	1480	85.1	8.0	1250
SLW350-400G	672.0 960.0 1152.0	187.00 267.00 320.00	53.0 50.0 44.0	200	1480	86.5	8.0	2000
SLW350-400GA	602.0 860.0 1032.0	167.00 239.00 287.00	46.6 44.0 38.0	160	1480	86.2	8.0	1850
SLW350-400GB	574.0 820.0 984.0	159.00 228.00 273.00	40.3 38.0 32.7	132	1480	86.1	8.0	1770
SLW350-450G	672.0 960.0 1152.0	187.00 267.00 320.00	22.0 20.0 16.0	75	980	86.5	6.0	1250
SLW350-450GA	574.0 820.0 984.0	159.00 228.00 273.00	19.0 17.0 14.0	55	980	86.1	6.0	950
SLW350-525G	672.0 960.0 1152.0	187.00 267.00 320.00	35.0 32.0 26.0	132	980	86.5	6.0	1850
SLW350-525GA	602.0 860.0 1032.0	167.00 239.00 287.00	30.0 28.0 23.0	110	980	86.2	6.0	1700

型号 Type	流量 Capacity		扬程 Head (m)	电机 功率 Power (kW)	转速 Speed (r/min)	效率 Eff. η (%)	必需汽 蚀余量 (NPSH) _r (m)	重量 Weight (Kg)
	(m³/h)	(L/s)						
SLW350-525GB	574.0 820.0 984.0	159.00 228.00 273.00	26.0 24.0 19.0	90	980	86.1	6.0	1550
SLW350-620G	672.0 960.0 1152.0	187.00 267.00 320.00	53.0 50.0 44.0	200	980	85.4	7.0	2800
SLW350-620GA	602.0 860.0 1032.0	167.00 239.00 287.00	46.6 44.0 38.0	160	980	85.3	6.5	2700
SLW350-620GB	574.0 820.0 984.0	159.00 228.00 273.00	40.3 38.0 32.7	132	980	85.3	6.5	2200
SLW350-315(I)	900.0 1200.0 1400.0	250.00 333.30 399.96	35.0 32.0 26.0	160	1480	86.3	9.0	1800
SLW350-315(I)A	820.0 1100.0 1300.0	227.80 305.60 361.10	30.0 28.0 23.0	132	1480	85.7	9.0	1750
SLW350-315(I)B	750.0 1000.0 1200.0	208.30 277.80 333.30	26.0 24.0 19.0	110	1480	84.9	9.0	1600
SLW350-400(I)	900.0 1200.0 1400.0	250.00 333.30 399.96	53.0 50.0 44.0	250	1480	87.1	9.0	2500
SLW350-400(I)A	850.0 1100.0 1320.0	236.10 313.90 366.70	46.6 44.0 38.0	200	1480	86.9	9.0	2450
SLW350-400(I)B	790.0 1050.0 1225.0	219.40 291.70 340.30	40.3 38.0 32.7	160	1480	86.8	9.0	2350
SLW400-300	820.0 1080.0 1300.0	228.00 300.00 361.00	23.0 20.0 16.0	90	1480	82.4	6.0	1450
SLW400-315	820.0 1080.0 1300.0	228.00 300.00 361.00	36.5 32.0 27.0	132	1480	85.		

SLWD型泵性能参数 SLWD type pump performance data

型号 Type	流量 Capacity		扬程 Head (m)	电机 功率 Power (kW)	转速 Speed (r/min)	效率 Eff. η (%)	必需汽 蚀余量 (NPSH) _r (m)	重量 Weight (Kg)
	(m³/h)	(L/s)						
SLWD40-160	2.2 3.2 3.9	0.61 0.89 1.10	8.5 8.0 7.5	0.25	1450	34.7	2.5	44
SLWD40-200	2.2 3.2 3.9	0.61 0.89 1.10	13.0 12.5 12.0	0.55	1450	26.0	2.5	53
SLWD40-250	2.2 3.2 3.9	0.61 0.89 1.10	20.5 20.0 18.5	1.1	1450	30.0	2.5	76
SLWD40-250A	2.0 2.8 3.4	0.56 0.78 0.94	16.4 16.0 15.0	0.75	1450	29.0	2.5	67
SLWD40-250B	1.6 2.3 2.8	0.44 0.64 0.78	13.2 13.0 12.0	0.55	1450	28.0	2.5	57
SLWD50-125	3.8 6.3 7.5	1.06 1.75 2.08	5.4 5.0 4.6	0.25	1450	55.0	2.5	43
SLWD50-160	3.8 6.3 7.5	1.06 1.75 2.08	8.5 8.0 7.5	0.55	1450	48.1	2.5	52
SLWD50-200	3.8 6.3 7.5	1.06 1.75 2.08	13.1 12.5 12.0	0.75	1450	41.6	2.5	62
SLWD50-250	3.8 6.3 7.5	1.06 1.75 2.08	20.5 20.0 19.5	1.5	1450	34.6	2.5	86
SLWD50-250A	3.4 5.6 6.7	0.94 1.56 1.86	16.4 16.0 15.6	1.1	1450	34.0	2.5	76
SLWD50-250B	3.1 5.1 6.1	0.86 1.42 1.69	13.2 13.0 12.5	0.75	1450	34.0	2.5	67
SLWD65-125	7.5 12.5 15.0	2.08 3.47 4.17	5.4 5.0 4.7	0.37	1450	64.0	2.8	52
SLWD65-160	7.5 12.5 15.0	2.08 3.47 4.17	8.8 8.0 7.2	0.55	1450	60.0	2.8	62
SLWD65-200	7.5 12.5 15.0	2.08 3.47 4.17	13.2 12.5 11.8	1.1	1450	54.0	2.8	69
SLWD65-200A	6.8 11.3 13.5	1.89 3.14 3.75	10.7 10.1 9.6	0.75	1450	54.0	2.8	62
SLWD65-250	7.5 12.5 15.0	2.08 3.47 4.17	21.0 20.0 19.4	2.2	1450	47.0	2.8	100
SLWD65-250A	7.0 11.7 14.1	1.94 3.25 3.92	18.4 17.6 17.0	1.5	1450	47.0	2.8	90
SLWD65-250B	6.1 10.2 12.3	1.69 2.83 3.42	14.1 13.4 12.7	1.1	1450	47.0	2.8	81

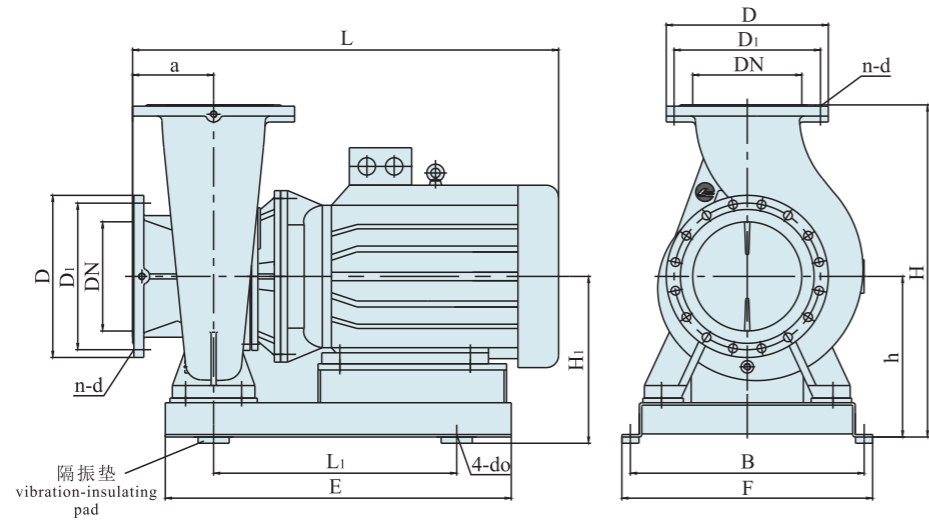
型号 Type	流量 Capacity		扬程 Head (m)	电机 功率 Power (kW)	转速 Speed (r/min)	效率 Eff. η (%)	必需汽 蚀余量 (NPSH) _r (m)	重量 Weight (Kg)
	(m³/h)	(L/s)						
SLWD65-315	7.5 12.5 15.0	2.08 3.47 4.17	32.3 32.0 31.7	4	1450	38.0	2.8	124
SLWD65-315A	7.0 11.7 14.0	1.94 3.25 3.92	26.1 28.0 27.6	3	1450	38.0	2.8	124
SLWD65-315B	6.1 10.1 12.1	1.69 2.81 3.36	21.2 21.0 20.8	3	1450	38.0	2.8	109
SLWD80-125	15.0 25.0 30.0	4.17 6.94 8.33	5.6 5.0 4.5	0.75	1450	70.9	2.8	67
SLWD80-160	15.0 25.0 30.0	4.17 6.94 8.33	9.0 8.0 7.2	1.1	1450	69.0	2.8	74
SLWD80-200	15.0 25.0 30.0	4.17 6.94 8.33	13.2 12.5 11.8	2.2	1450	65.0	2.8	93
SLWD80-200A	14.0 23.3 27.9	3.89 6.47 7.75	11.5 10.9 10.2	1.5	1450	65.0	2.8	84
SLWD80-250	15.0 25.0 30.0	4.17 6.94 8.33	21.0 20.0 18.8	3	1450	59.0	2.8	122
SLWD80-250A	13.8 22.2 26.6	6.39 6.17 7.39	16.6 15.8 14.8	2.2	1450	59.0	2.8	119
SLWD80-250B	11.9 19.8 23.8	3.31 5.50 6.61	13.5 12.6 11.8	1.5	1450	59.0	2.8	115
SLWD80-315	15.0 25.0 30.0	4.17 6.94 8.33	32.5 32.0 31.5	5.5	1450	52.6	2.8	181
SLWD80-315A	14.0 23.0 28.0	3.89 6.39 7.78	28.3 27.9 27.4	4	1450	52.0	2.8	181
SLWD80-315B	12.1 20.2 24.3	3.36 5.61 6.75	21.3 21.0 20.6	3	1450	52.0	2.8	162
SLWD100-125	30.0 50.0 60.0	8.33 13.89 16.67	6.0 5.0 4.0	1.1	1450	76.0	3.0	76
SLWD100-160	30.0 50.0 60.0	8.33 13.89 16.67	9.2 8.0 6.8	2.2	1450	77.0	3.0	83
SLWD100-160A	26.8 44.5 53.5	7.44 12.40 14.90	7.3 6.3 5.4	1.5	1450	76.0	3.0	76
SLWD100-200	35.0 50.0 60.0	9.72 13.89 16.67	13.5 12.5 11.8	3	1450	71.0	3.0	109
SLWD100-200A	26.8 44.6 53.5	7.44 12.40 14.90	10.7 9.9 9.4	2.2	1450	71.0	3.0	105

SLWD型泵性能参数 SLWD type pump performance data

型号 Type	流量 Capacity		扬程 Head (m)	电机 功率 Power (kW)	转速 Speed (r/min)	效率 Eff. η (%)	必需汽 蚀余量 (NPSH) _r (m)	重量 Weight (Kg)
	(m³/h)	(L/s)						
SLWD100-250	30.0 50.0 60.0	8.33 13.89 16.67	21.3 20.0 19.0	5.5	1450	71.0	3.0	166
SLWD100-250A	28.0 46.7 56.0	7.78 12.97 15.56	18.6 17.4 16.6	4	1450	71.0	3.0	143
SLWD100-250B	24.2 40.4 48.5	6.72 11.22 13.47	14.0 13.0 12.4	3	1450	71.0	3.0	128
SLWD100-315	30.0 50.0 60.0	8.33 13.89 16.67	34.0 32.0 30.0	11	1450	65.0	3.0	247
SLWD100-315A	28.0 46.7 56.0	7.78 12.97 15.56	29.6 27.9 26.1	7.5	1450	65.0	3.0	209
SLWD100-315B	24.2 40.4 48.5	6.72 11.22 13.47	22.3 21.0 19.1	5.5	1450	65.0	3.0	204
SLWD125-160	48.0 80.0 96.0	13.30 22.20 26.70	9.0 8.0 7.0	3	1450	77.0	3.0	133
SLWD125-200	48.0 80.0 96.0	13.30 22.20 26.70	13.8 12.5 11.5	5.5	1450	76.9	3.0	181
SLWD125-200A	45.0 75.0 90.0	12.50 20.80 25.00	12.1 11.0 10.1	4	1450	76.8	3.0	162
SLWD125-250	48.0 80.0 96.0	13.30 22.20 26.70	21.8 20.0 18.3	7.5	1450	74.4	2.8	220
SLWD125-250A	45.0 75.0 90.0	12.50 20.80 25.00	19.0 17.5 16.0	7.5	1450	74.8	2.8	215
SLWD125-250B	41.5 69.0 83.0	11.50 19.20 23.10	16.3 15.0 13.8	5.5	1450	75.1	2.8	205
SLWD125-315	48.0 80.0 96.0	13.30 22.20 26.70	33.3 32.0 29.8	15	1450	69.1	2.5	309
SLWD125-315A	45.0 75.0 90.0	12.50 20.80 25.00	29.3 27.5 26.0	11	1450	70.2	2.5	290
SLWD125-315B	43.0 71.5 86.0	11.90 19.90 23.90	23.5 22.0 20.8	7.5	1450	70.8	2.5	285
SLWD125-125(I)	60.0 100.0 120.0	16.67 27.80 33.30	6.5 5.0 4.0	2.2	1450	78.0	3.0	100
SLWD125-160(I)	60.0 100.0 120.0	16.67 27.80 33.30	10.0 8.0 7.0	4	1450	80.0	3.0	120
SLWD125-160(I)A	52.0 87.0 104.0	14.50 24.20 28.90	7.3 6.3 5.4	3	1450	79.0	3.0	109

型号 Type	流量 Capacity		扬程 Head (m)	电机 功率 Power (kW)	转速 Speed (r/min)	效率 Eff. η (%)	必需汽 蚀余量 (NPSH) _r (m)	重量 Weight (Kg)
	(m³/h)	(L/s)						
SLWD125-200(I)	60.0 100.0 120.0	16.67 27.80 33.30	14.0 12.5 11.0	5.5	1450	78.0	3.0	145
SLWD125-200(I)A	51.7 86.0 103.0	14.36 23.92 28.61	10.8 9.3 8.2	4	1450	78.0	3.0	120
SLWD125-250(I)	60.0 100.0 120.0	16.70 27.80 33.30	21.5 20.0 18.5	11	1450	78.0	3.0	212
SLWD125-250(I)A	56.0 93.0 112.0	15.60 25.80 31.10	18.7 17.4 16.0	7.5	1450	78.0	3.0	105
SLWD125-250(I)B	52.0 87.0 104.0	14.50 24.20 28.90	16.0 15.0 14.0	5.5	1450	78.0	3.0	155
SLWD125-315(I)	60.0 100.0 120.0	16.70 27.80 33.30	33.5 32.0 30.5	15	1450	74.0	3.0	228
SLWD125-315(I)A	55.0 91.0 110.0	15.30 25.30 30.60	28.0 27.0 25.7	11	1450	74.0	3.0	214
SLWD125-315(I)B	47.0 79.0 95.0	13.10 21.90 26.40	21.0 20.0 18.0	7.5	1450	74.0	3.0	165
SLWD125-400(I)	60.0 100.0 120.0	16.70 27.80 33.30	52.0 50.0 48.5	30	1450	69.0	3.0	375
SLWD125-400(I)A	56.4 94.0 113.0	15.70 26.10 31.40	46.0 44.0 43.0	22	1450	69.0	3.0	295
SLWD125-400(I)B	52.3 87.0 105.0	14.50 24.20 29.20	39.0 38.0 37.0	18.5	1450	69.0	3.0	247
SLWD125-400(I)C	48.6 81.0 97.0	13.50 22.60 26.90	34.0 32.8 32.0	15	1450	67.0	3.0	239
SLWD150-250(I)	60.0 100.0 120.0	16.70 27.80 33.30	21.8 20.0 18.0	11	1450	76.4	4.0	295
SLWD150-250(I)A	56.0 93.5 112.0	15.60 26.00 31.10	19.0 17.5 15.8	7.5	1450	76.7	4.0	261
SLWD150-250(I)B	52.0 86.5 104.0	14.40 24.00 28.90	16.3 15.0 13.5	7.5	1450	76.8	4.0	258
SLWD150-315(I)	60.0 100.0 120.0	16.70 27.80 33.30	33.3 32.0 30.0	15	1450	72.0	4.0	323
SLWD150-315(I)A	56.0 93.5 112.0	15.60 26.00 31.10	29.0 27.5 26.3	15	1450	73.0	4.0	318
SLWD150-315(I)B	52.0 86.5 104.0	14.40 24.00 28.90	25.0 23.8 22.8	11	1450	73.7	4.0	299

SLW(SLWD)型泵安装尺寸图 SLW(SLWD) type pump dimension figure



SLW型泵安装尺寸表 SLW type pump dimension table

型号 Type	外形尺寸 Figure dimensions				安装尺寸 Installing dimensions					进出口法兰尺寸 In-outlet flange dimensions				隔振垫 Vibration-insulating pad	
	L	H	E	F	a	h	L ₁	B	4-do	DN	D	D ₁	n-d	型号 Type	H ₁
25-110	390	345	385	300	85	195	260	270	φ12	φ25	φ115	φ85	4-φ14	SD41-0.5	215
25-125	445	345	410	300	85	195	260	270	φ12	φ25	φ115	φ85	4-φ14	SD41-0.5	215
25-125A	445	345	400	300	85	195	260	270	φ12	φ25	φ115	φ85	4-φ14	SD41-0.5	215
25-160	445	345	410	300	85	195	260	270	φ12	φ25	φ115	φ85	4-φ14	SD41-0.5	215
25-160A	445	345	400	300	85	195	260	270	φ12	φ25	φ115	φ85	4-φ14	SD41-0.5	215
32-100	395	305	395	280	90	175	250	250	φ12	φ32	φ140	φ100	4-φ19	SD41-0.5	195
32-125	450	305	410	280	90	175	250	250	φ12	φ32	φ140	φ100	4-φ19	SD41-0.5	195
32-125A	450	305	410	280	90	175	250	250	φ12	φ32	φ140	φ100	4-φ19	SD41-0.5	195
32-160	450	355	405	300	80	195	260	270	φ12	φ32	φ140	φ100	4-φ19	SD41-0.5	215
32-160A	440	355	400	300	80	195	260	270	φ12	φ32	φ140	φ100	4-φ19	SD41-0.5	215
32-200	530	405	480	370	85	235	300	330	φ14	φ32	φ140	φ100	4-φ19	SD41-0.5	255
32-200A	485	405	445	370	85	235	280	330	φ12	φ32	φ140	φ100	4-φ19	SD41-0.5	255
40-100	385	295	395	300	80	165	260	270	φ12	φ40	φ150	φ110	4-φ19	SD41-0.5	185
40-100A	385	295	395	300	80	165	260	270	φ12	φ40	φ150	φ110	4-φ19	SD41-0.5	185
40-125	442	310	410	300	80	175	260	270	φ12	φ40	φ150	φ110	4-φ19	SD41-0.5	195
40-125A	442	310	410	300	80	175	260	270	φ12	φ40	φ150	φ110	4-φ19	SD41-0.5	195
40-160	477	355	445	340	80	195	260	310	φ12	φ40	φ150	φ110	4-φ19	SD41-0.5	215
40-160A	452	355	420	340	80	195	260	310	φ12	φ40	φ150	φ110	4-φ19	SD41-0.5	215
40-160B	442	355	410	340	80	195	260	310	φ12	φ40	φ150	φ110	4-φ19	SD41-0.5	215
40-200	545	405	490	370	85	235	300	330	φ14	φ40	φ150	φ110	4-φ19	SD41-0.5	255
40-200A	545	405	490	370	85	235	300	330	φ14	φ40	φ150	φ110	4-φ19	SD41-0.5	255
40-200B	530	405	480	370	85	235	300	330	φ14	φ40	φ150	φ110	4-φ19	SD41-0.5	255
40-250	610	455	540	450	90	255	300	410	φ14	φ40	φ150	φ110	4-φ19	SD41-0.5	275
40-250A	610	455	540	450	90	255	300	410	φ14	φ40	φ150	φ110	4-φ19	SD41-0.5	275
40-250B	610	455	540	450	90	255	300	410	φ14	φ40	φ150	φ110	4-φ19	SD41-0.5	275
50-100	440	305	410	285	80	165	260	255	φ12	φ50	φ165	φ125	4-φ19	SD41-0.5	185

SLW型泵安装尺寸表 SLW type pump dimension table

型号 Type	外形尺寸 Figure dimensions				安装尺寸 Installing dimensions					进出口法兰尺寸 In-outlet flange dimensions				隔振垫 Vibration-insulating pad	
	L	H	E	F	a	h	L ₁	B	4-do	DN	D	D ₁	n-d	型号 Type	H ₁
50-100A	440	305	410	285	80	165	260	255	φ12	φ50	φ165	φ125	4-φ19	SD41-0.5	185
50-125	454	325	420	300	80	180	260	270	φ12	φ50	φ165	φ125	4-φ19	SD41-0.5	200
50-125A	444	325	415	300	80	180	260	270	φ12	φ50	φ165	φ125	4-φ19	SD41-0.5	200
50-160	540	355	485	350	90	195	260	310	φ14	φ50	φ165	φ125	4-φ19	SD41-0.5	215
50-160A	495	355	455	350	90	195	260	310	φ14	φ50	φ165	φ125	4-φ19	SD41-0.5	215
50-160B	495	355	455	350	90	195	260	310	φ14	φ50	φ165	φ125	4-φ19	SD41-0.5	215
50-200	592	405	515	385	80	225	300	345	φ14	φ50	φ165	φ125	4-φ19	SD41-0.5	245
50-200A	542	405	490	355	80	225	300	315	φ14	φ50	φ165	φ125	4-φ19	SD41-0.5	245
50-200B	527	405	480	355	80	225	300	315	φ14	φ50	φ165	φ125	4-φ19	SD41-0.5	245
50-250	747	650	440	470	95	255	400	400	φ14	φ50	φ165	φ125	4-φ19	SD61-0.5	275
50-250A	747	650	440	470	95	255	400	400	φ14	φ50	φ165	φ125	4-φ19	SD61-0.5	275
50-250B	627	550	440	470	95	255	400	400	φ14	φ50	φ165	φ125	4-φ19	SD61-0.5	275
65-100	460	335	425	295	80	175	260	265	φ12	φ65	φ185	φ145	4-φ19	SD41-0.5	195
65-100A	450	335	420	295	80	175	260	265	φ12	φ65	φ185	φ145	4-φ19	SD41-0.5	195
65-125	540	345	485	325	90	175	300	285	φ14	φ65	φ185	φ145	4-φ19	SD41-0.5	195
65-125A	495	345	455	325	90	175	300	285	φ14	φ65	φ185	φ145	4-φ19	SD41-0.5	195
65-160	557	365	485	350	100	195	300	310	φ14	φ65	φ185	φ145	4-φ19	SD41-0.5	215
65-160A	657	365	485	350	100	195	300	310	φ14	φ65	φ185	φ145	4-φ19	SD41-0.5	215
65-160B	542	365	475	350	100	195	300	310	φ14	φ65	φ185	φ145	4-φ19	SD41-0.5	215
65-200	615	425	520	385	100	235	350	345	φ14	φ65	φ185	φ145	4-φ19	SD61-0.5	255
65-200A	615	425	520	385	100	235	350	345	φ14	φ65	φ185	φ145	4-φ19	SD61-0.5	255
65-200B	615	425	520	385	100	235	350	345	φ14	φ65	φ185	φ145	4-φ19	SD61-0.5	255
65-250	750	495	645	450	105	255	450	410	φ14	φ65	φ185	φ145	4-φ19	SD61-1	275
65-250A	750	495	645	450	105	255	450	410	φ14	φ65	φ185	φ145	4-φ19	SD61-1	275
65-250B	750	495	645	450	105	255	450	410	φ14	φ65	φ185	φ145	4-φ19	SD61-0.5	275
65-315	919	570	770	530	105	300	500	485	φ18	φ65	φ185	φ145	4-φ19	SD61-1.5	320
65-315A	919	570	770	530	105	300	500	485	φ18	φ65	φ185	φ145	4-φ19	SD61-1	320
65-315B	834	570	695	490	105	300	500	445	φ18	φ65	φ185	φ145	4-φ19	SD61-1	320
80-100	560	365	495	350	100	195	300	310	φ14	φ80	φ200	φ160	8-φ19	SD61-0.5	215
80-100A	515	365	465	350	100	195	300	310	φ14	φ80	φ200	φ160	8-φ19	SD61-0.5	215
80-125	610	410	525	385	90	210	300	345	φ14	φ80	φ200	φ160	8-φ19	SD61-0.5	230
80-125A	560	395	500	355	90	195	300	315	φ14	φ80	φ200	φ160	8-φ19	SD61-0.5	215
80-160	645	435	535	400	120	235	350	360	φ14	φ80	φ200	φ160	8-φ19	SD61-1	255
80-160A	645	435	535	400	120	235	350	360	φ14	φ80	φ200	φ160	8-φ19	SD61-1	255
80-160B	645	435	535	400	120	235	350	360	φ14	φ80	φ200	φ160	8-φ19	SD61-0.5	255
80-200	752	460	635	450	105	245	400	410	φ14	φ80	φ200	φ160	8-φ19	SD61-1	265
80-200A	752	460	635	450	105	245	400	410	φ14	φ80	φ200	φ160	8-φ19	SD61-1	265
80-200B	642	460	540	400	105	245	400	360	φ14	φ80	φ200	φ160	8-φ19	SD61-1	265
80-250	853	495	700	490	125	255	450	445	φ18	φ80	φ200	φ160	8-φ19	SD61-1	275
80-250A	818	495	690	455	125	255	450	415	φ14	φ80	φ200	φ160	8-φ19	SD61-1	275
80-250B	773	495	645	455	125	255	450	415	φ14	φ80	φ200	φ160	8-φ19	SD61-1	275
80-315	1001	610	830	575	135	320	600	530	φ18	φ80	φ200	φ160	8-φ19	SD61-1.5	340
80-315A	976	610	800	530	135	320	500	485	φ18	φ80	φ200	φ160	8-φ19	SD61-1	340
80-315B	976	610	800	530	135	320	500	485	φ18	φ80	φ200	φ160	8-φ19	SD61-1	340
80-315C	976	610	800	530	135	320	500	485	φ18	φ80	φ200	φ160	8-φ19	SD61-1	340
80-350	1100	695	910	630	135	380	600	585	φ18	φ80	φ200	φ160	8-φ19	SD61-1.5	400
80-350A	1000	665	845	580	135	350	600	535	φ18	φ80	φ200	φ160	8-φ19	SD61-1.5	370
80-350B	975	665	815	535	135	350	600	490	φ18	φ80	φ200	φ160	8-φ19	SD61-1.5	370

SLW型泵安装尺寸表 SLW type pump dimension table

型号 Type	外形尺寸 Figure dimensions				安装尺寸 Installing dimensions					进出口法兰尺寸 In-outlet flange dimensions				隔振垫 Vibration-insulating pad	
	L	H	E	F	a	h	L ₁	B	4-do	DN	D	D ₁	n-d	型号 Type	H ₁
100-100	631	460	545	415	104	235	350	375	φ14	φ100	φ220	φ180	8-φ19	SD61-1	255
100-100A	581	460	520	415	104	235	350	375	φ14	φ100	φ220	φ180	8-φ19	SD61-1	255
100-125	759	460	655	450	104	245	450	410	φ14	φ100	φ220	φ180	8-φ19	SD61-1	265
100-125A	639	450	555	415	104	235	350	375	φ14	φ100	φ220	φ180	8-φ19	SD61-1	255
100-160	763	495	650	450	110	245	450	410	φ14	φ100	φ220	φ180	8-φ19	SD61-1	265
100-160A	763	495	650	450	110	245	450	410	φ14	φ100	φ220	φ180	8-φ19	SD61-1	265
100-160B	763	495	650	450	110	245	450	410	φ14	φ100	φ220	φ180	8-φ19	SD61-1	265
100-200	836	495	705	490	105	255	450	445	φ18	φ100	φ220	φ180	8-φ19	SD61-1	275
100-200A	801	495	695	450	105	255	500	410	φ14	φ100	φ220	φ180	8-φ19	SD61-1	275
100-200B	756	495	650	450	105	255	500	410	φ14	φ100	φ220	φ180	8-φ19	SD61-1	275
100-250	943	570	795	535	125	295	550	490	φ18	φ100	φ220	φ180	8-φ19	SD62-1.5	315
100-250A	943	570	795	535	125	295	550	490	φ18	φ100	φ220	φ180	8-φ19	SD62-1.5	315
100-250B	943	570	795	535	125	295	550	490	φ18	φ100	φ220	φ180	8-φ19	SD62-1	315
100-315	1126	725	955	695	130	400	600	650	φ18	φ100	φ220	φ180	8-φ19	SD62-1.5	420
100-315A	1085	705	900	630	130	380	600	585	φ18	φ100	φ220	φ180	8-φ19	SD62-1.5	400
100-315B	1085	705	900	630	130	380	600	585	φ18	φ100	φ220	φ180	8-φ19	SD62-1.5	400
100-315C	985	645	840	575	130	320	600	530	φ18	φ100	φ220	φ180	8-φ19	SD62-1.5	340
100-350	1187	730	1020	695	130	390	700	650	φ18	φ100	φ220	φ180	8-φ19	SD62-2	410
100-350A	1126	730	970	695	130	390	700	650	φ18	φ100	φ220	φ180	8-φ19	SD62-2	410
100-350B	1126	730	970	695	130	390	700	650	φ18	φ100	φ220	φ180	8-φ19	SD62-2	410
125-100	775	510	655	455	125	255	450	415	φ14	φ125	φ250	φ210	8-φ19	SD61-1	275
125-100A	660	510	555	455	125	255	350	415	φ14	φ125	φ250	φ210	8-φ19	SD61-1	275
125-125	780	510	655	455	125	255	450	415	φ14	φ125	φ250	φ210	8-φ19	SD61-1	275
125-125A	780	510	655	455	125	255	450	415	φ14	φ125	φ250	φ210	8-φ19	SD61-1	275
125-160	860	510	705	490	125	255	450	445	φ18	φ125	φ250	φ210	8-φ19	SD61-1	275
125-160A	825	510	695	455	125	255	450	415	φ14	φ125	φ250	φ210	8-φ19	SD61-1	275
125-160B	780	510	655	455	125	255	450	415	φ14	φ125	φ250	φ210	8-φ19	SD61-1	275
125-200	947	575	795	535	130	295	550	490	φ18	φ125	φ250	φ210	8-φ19	SD61-1	315
125-200A	947	575	795	535	130	295	550	490	φ18	φ125	φ250	φ210	8-φ19	SD61-1	315
125-200B	862	575	720	500	130	295	500	455	φ18	φ125	φ250	φ210	8-φ19	SD61-1	315
125-250	1118	680	910	630	155	380	600	585	φ18	φ125	φ250	φ210	8-φ19	SD62-1	400
125-250A	1018	635	845	580	155	335	600	535	φ18	φ125	φ250	φ210	8-φ19	SD62-1	355
125-250B	993	595	820	535	155	295	550	490	φ18	φ125	φ250	φ210	8-φ19	SD62-1	315
125-315	1185	735	995	695	135	395	700	650	φ18	φ125	φ250	φ210	8-φ19	SD62-1	415
125-315A	1124	735	945	695	135	395	700	650	φ18	φ125	φ250	φ210	8-φ19	SD62-1	415
125-315B	1124	735	945	695	135	395	700	650	φ18	φ125	φ250	φ210	8-φ19	SD62-1	415
150-125	780	510	655	470	125	255	450	425	φ18	φ150	φ285	φ240	8-φ23	SD41-1.5	275
150-125A	780	510	655	470	125	255	450	425	φ18	φ150	φ285	φ240	8-φ23	SD41-1.5	275
150-160	860	510	705	490	125	255	450	445	φ18	φ150	φ285	φ240	8-φ23	SD61-1	275
150-160A	825	510	695	470	125	255	450	425	φ18	φ150	φ285	φ240	8-φ23	SD61-1	275
150-160B	780	510	655	470	125	255	450	425	φ18	φ150	φ285	φ240	8-φ23	SD61-1	275
150-200	855	680	740	545	145	360	500	500	φ18	φ150	φ285	φ240	8-φ23	SD62-1	380
150-200A	810	680	695	545	145	360	450	500	φ18	φ150	φ285	φ240	8-φ23	SD62-1	380
150-200B	735	680	645	545	145	360	400	500	φ18	φ150	φ285	φ240	8-φ23	SD62-1	380
150-250	890	695	735	555	145	360	500	510	φ18	φ150	φ285	φ240	8-φ23	SD62-1	380
150-250A	855	695	730	555	145	360	500	510	φ18	φ150	φ285	φ240	8-φ23	SD62-1	380
150-250B	810	695	685	555	145	360	500	510	φ18	φ150	φ285	φ240	8-φ23	SD62-1	380
150-315	972	770	830	645	135	390	500	600	φ18	φ150	φ285	φ240	8-φ23	SD62-1	410

SLW型泵安装尺寸表 SLW type pump dimension table

型号 Type	外形尺寸 Figure dimensions				安装尺寸 Installing dimensions					进出口法兰尺寸 In-outlet flange dimensions				隔振垫 Vibration-insulating pad	
	L	H	E	F	a	h	L ₁	B	4-do	DN	D	D ₁	n-d	型号 Type	H ₁
150-315A	927	770	795	645	135	390	500	600	φ18	φ150	φ285	φ240	8-φ23	SD62-1	410
150-315B	887	770	755	645	135	390	500	600	φ18	φ150	φ285	φ240	8-φ23	SD62-1	410
150-350	1367	830	1085	795	135	440	750	740	φ22	φ150	φ285	φ240	8-φ23	SD62-1.5	460
150-350A	1367	830	1085	795	135	440	750	740	φ22	φ150	φ285	φ240	8-φ23	SD62-1.5	460
150-350B	1143	780	985	695	135	390	700	650	φ18	φ150	φ285	φ240	8-φ23	SD62-1.5	410
150-400	1010	845	855	645	155	440	550	600	φ18	φ150	φ285	φ240	8-φ23	SD62-1.5	460
150-400A	985	845	830	645	155	440	550	600	φ18	φ150	φ285	φ240	8-φ23	SD62-1	460
150-400B	985	845	825	645	155	440	550	600	φ18	φ150	φ285	φ240	8-φ23	SD62-1	460
150-400C	940	845	790	645	155	440	550	600	φ18	φ150	φ285	φ240	8-φ23	SD62-1	460
150-500	1213	995	990	745	200	485	700	700	φ18	φ150	φ285	φ240	8-φ23	SD62-1	505
150-500A	1213	995	990	745	200	485	700	700	φ18	φ150	φ285	φ240	8-φ23	SD62-1	505
150-500B	1172	995	935	745	200	485	700	700	φ18	φ150	φ285	φ240	8-φ23	SD62-1	505
150-250(I)	1141	730	955	695	145	395	600	650	φ18	φ150	φ285	φ240	8-φ23	SD62-1	415
150-250(I)A	1100	715	905	630	145	380	600	585	φ18	φ150	φ285	φ240	8-φ23	SD62-1	400
150-250(I)B	1000	695	840	580	145	360	500	535	φ18	φ150	φ285	φ240	8-φ23	SD62-1	380
150-315(I)	1367	830	1085	795	135	440	750	740	φ22	φ150	φ285	φ240	8-φ23	SD62-1.5	460
150-315(I)A	1204	780	1035	695	135	390	700	650	φ18	φ150	φ285	φ240	8-φ23	SD62-1.5	410
150-315(I)B	1143	780	985	695	135	390	700	650	φ18	φ150	φ285	φ240	8-φ23	SD62-1.5	410
200-200	855	690	750	575	145	360	500	530	φ18	φ200	φ340	φ295	12-φ23	SD62-1	380
200-200A	810	690	700	575	145	360	450	530	φ18	φ200	φ340	φ295	12-φ23	SD62-1	380
200-250	930	750	750	575	185	360	500	530	φ18	φ200	φ340	φ295	12-φ23	SD62-1	380
200-250A	895	750	750	575	185	360	500	530	φ18	φ200	φ340	φ295	12-φ23	SD62-1	380
200-250B	850	750	700	575	185	360	450	530	φ18	φ200	φ340	φ295	12-φ23	SD62-1	380
200-315	992	765	850	665	155	390	550	620	φ18	φ200	φ340	φ295	12-φ23	SD62-1	410
200-315A	947	765	800	665	155	390	500	620	φ18	φ200	φ340	φ295	12-φ23	SD62-1	410
200-315B	907	765	800	665	155	390	500	620	φ18	φ200	φ340	φ295	12-φ23	SD62-1	410
200-400	1025	875	870	665	155	440	550	620	φ18	φ200	φ340	φ295	12-φ23	SD62-1	460
200-400A	985	875	850	665	155	440	550	620	φ18	φ200	φ340	φ295	12-φ23	SD62-1	460
200-400B	985	875	850	665	155	440	550	620	φ18	φ200	φ340	φ295	12-φ23	SD62-1	460
200-400C	940	875	800	665	155	440	500	620	φ18	φ200	φ340	φ295	12-φ23	SD62-1	460
200-200G	903	770	800	665	150	390	500	620	φ18	φ200					

SLW型泵安装尺寸表 SLW type pump dimension table

型号 Type	外形尺寸 Figure dimensions				安装尺寸 Installing dimensions					进出口法兰尺寸 In-outlet flange dimensions				隔振垫 Vibration-insulating pad	
	L	H	E	F	a	h	L ₁	B	4-do	DN	D	D ₁	n-d	型号 Type	H ₁
200-250(I)	1001	790	850	665	165	390	550	620	φ 18	φ 200	φ 340	φ 295	12-φ 23	SD62-1	410
200-250(I)A	956	790	800	665	165	390	500	620	φ 18	φ 200	φ 340	φ 295	12-φ 23	SD62-1	410
200-250(I)B	916	790	800	665	165	390	500	620	φ 18	φ 200	φ 340	φ 295	12-φ 23	SD62-1	410
200-315(I)	1130	865	950	725	155	445	650	680	φ 18	φ 200	φ 340	φ 295	12-φ 23	SD62-1	465
200-315(I)A	1025	865	900	725	155	445	600	680	φ 18	φ 200	φ 340	φ 295	12-φ 23	SD62-1	465
200-315(I)B	1015	865	850	725	155	445	550	680	φ 18	φ 200	φ 340	φ 295	12-φ 23	SD62-1	465
200-400(I)	1242	890	1000	735	145	440	700	680	φ 22	φ 200	φ 340	φ 295	12-φ 23	SD62-1.5	460
200-400(I)A	1156	890	1000	735	145	440	700	680	φ 22	φ 200	φ 340	φ 295	12-φ 23	SD62-1.5	460
200-400(I)B	1115	890	950	725	145	440	650	680	φ 18	φ 200	φ 340	φ 295	12-φ 23	SD62-1	460
200-400(I)C	1015	890	900	725	145	440	600	680	φ 18	φ 200	φ 340	φ 295	12-φ 23	SD62-1	460
200-500(I)	1557	1045	1250	835	185	505	900	780	φ 22	φ 200	φ 340	φ 295	12-φ 23	SD62-1	525
200-500(I)A	1447	1045	1150	835	185	505	800	780	φ 22	φ 200	φ 340	φ 295	12-φ 23	SD62-1	525
200-500(I)B	1272	1045	1100	835	185	505	750	780	φ 22	φ 200	φ 340	φ 295	12-φ 23	SD62-1	525
200-500(I)C	1211	1045	1050	835	185	505	700	780	φ 22	φ 200	φ 340	φ 295	12-φ 23	SD62-1	525
250-250(I)	1095	950	900	765	225	455	600	720	φ 18	φ 250	φ 405	φ 355	12-φ 28	SD62-1	475
250-250(I)A	1070	950	850	765	225	455	600	720	φ 18	φ 250	φ 405	φ 355	12-φ 28	SD62-1	475
250-235	1070	950	875	785	225	455	600	740	φ 18	φ 250	φ 405	φ 355	12-φ 28	SD62-1	475
250-300	1070	950	850	765	225	455	600	720	φ 18	φ 250	φ 405	φ 355	12-φ 28	SD62-1	475
250-315	1241	950	1000	785	225	455	700	730	φ 22	φ 250	φ 405	φ 355	12-φ 28	SD62-1.5	475
250-315A	1200	950	950	785	225	455	650	730	φ 22	φ 250	φ 405	φ 355	12-φ 28	SD62-1.5	475
250-315B	1095	950	900	765	225	455	600	720	φ 18	φ 250	φ 405	φ 355	12-φ 28	SD62-1.5	475
250-400	1302	990	1128	805	200	455	750	750	φ 22	φ 250	φ 405	φ 355	12-φ 28	SD62-1.5	475
250-400A	1302	990	1100	785	200	455	750	730	φ 22	φ 250	φ 405	φ 355	12-φ 28	SD62-1.5	475
250-400B	1211	990	1000	785	200	455	700	730	φ 22	φ 250	φ 405	φ 355	12-φ 28	SD62-1.5	475
250-500	1592	1125	1250	855	220	525	900	800	φ 22	φ 250	φ 405	φ 355	12-φ 28	SD62-1.5	545
250-500A	1592	1125	1250	855	220	525	900	800	φ 22	φ 250	φ 405	φ 355	12-φ 28	SD62-1.5	545
250-500B	1482	1125	1250	855	220	525	800	800	φ 22	φ 250	φ 405	φ 355	12-φ 28	SD62-1.5	545
250-500C	1482	1125	1250	855	220	525	800	800	φ 22	φ 250	φ 405	φ 355	12-φ 28	SD62-1.5	545
300-235	1250	1075	975	805	260	475	680	750	φ 22	φ 300	φ 460	φ 410	12-φ 28	SD62-1.5	495
300-235A	1145	1075	910	805	260	475	580	750	φ 22	φ 300	φ 460	φ 410	12-φ 28	SD62-1.5	495
300-235B	1120	1075	880	805	260	475	580	750	φ 22	φ 300	φ 460	φ 410	12-φ 28	SD62-1.5	495
300-250	1250	1075	975	805	260	475	680	750	φ 22	φ 300	φ 460	φ 410	12-φ 28	SD62-1.5	495
300-250A	1045	1075	910	805	260	475	580	750	φ 22	φ 300	φ 460	φ 410	12-φ 28	SD62-1.5	495
300-300	1268	1075	1040	905	245	525	680	850	φ 22	φ 300	φ 460	φ 410	12-φ 28	SD62-1.5	545
300-300A	1227	1075	985	905	245	525	680	850	φ 22	φ 300	φ 460	φ 410	12-φ 28	SD62-1.5	545
300-300B	1117	1075	915	905	245	525	580	850	φ 22	φ 300	φ 460	φ 410	12-φ 28	SD62-1.5	545
300-315	1372	1075	1100	805	260	475	780	750	φ 22	φ 300	φ 460	φ 410	12-φ 28	SD62-2	495
300-315A	1291	1075	1030	805	260	475	680	750	φ 22	φ 300	φ 460	φ 410	12-φ 28	SD62-2	495
300-315B	1250	1075	975	805	260	475	680	750	φ 22	φ 300	φ 460	φ 410	12-φ 28	SD62-1.5	495
300-400	1520	1115	1140	805	255	520	780	750	φ 22	φ 300	φ 460	φ 410	12-φ 28	SD63-2	540
300-400A	1372	1115	1115	805	255	520	780	750	φ 22	φ 300	φ 460	φ 410	12-φ 28	SD63-2	540
300-450	1635	1115	1255	805	260	520	880	750	φ 22	φ 300	φ 460	φ 410	12-φ 28	SD63-2	540
300-450A	1525	1115	1150	805	260	520	780	750	φ 22	φ 300	φ 460	φ 410	12-φ 28	SD63-2	540
300-450B	1375	1115	1110	805	260	520	780	750	φ 22	φ 300	φ 460	φ 410	12-φ 28	SD63-2	540
300-450C	1291	1115	1040	805	260	520	680	750	φ 22	φ 300	φ 460	φ 410	12-φ 28	SD63-2	540
300-500	1910	1230	1455	905	300	580	980	850	φ 22	φ 300	φ 460	φ 410	12-φ 28	SD62-2.5	600
300-500A	1680	1230	1285	905	300	580	880	850	φ 22	φ 300	φ 460	φ 410	12-φ 28	SD62-2.5	600
300-500B	1680	1230	1285	905	300	580	880	850	φ 22	φ 300	φ 460	φ 410	12-φ 28	SD62-2.5	600

SLW型泵安装尺寸表 SLW type pump dimension table

型号 Type	外形尺寸 Figure dimensions				安装尺寸 Installing dimensions					进出口法兰尺寸 In-outlet flange dimensions				隔振垫 Vibration-insulating pad	
	L	H	E	F	a	h	L ₁	B	4-do	DN	D	D ₁	n-d	型号 Type	H ₁
300-500C	1570	1230	1180	905	300	580	780	850	φ 22	φ 300	φ 460	φ 410	12-φ 28	SD62-2.5	600
350-235	1120	1065	900	805	260	515	580	750	φ 22	φ 350	φ 520	φ 470	16-φ 28	SD62-1.5	535
350-300	1286	1065	1040	805	260	515	680	750	φ 22	φ 350	φ 520	φ 470	16-φ 28	SD62-1.5	535
350-315	1367	1065	1110	805	260	515	780	750	φ 22	φ 350	φ 520	φ 470	16-φ 28	SD62-2	535
350-400	1660	1170	1260	805	285	515	880	750	φ 22	φ 350	φ 520	φ 470	16-φ 28	SD62-2.5	535
350-450	1680	1515	1355	1255	280	705	880	1200	φ 22	φ 350	φ 520	φ 470	16-φ 28	SD62-2.5	725
350-450A	1570	1515	1250	1255	280	705	780	1200	φ 22	φ 350	φ 520	φ 470	16-φ 28	SD62-2.5	725
350-500	1933	1280	1470	955	320	580	1080	900	φ 22	φ 350	φ 520	φ 470	16-φ 28	SD62-2.5	600
350-525	1880	1515	1495	1255	280	705	1080	1200	φ 22	φ 350	φ 520	φ 470	16-φ 28	SD62-2.5	725
350-525A	1680	1515	1355	1255	280	705	880	1200	φ 22	φ 350	φ 520	φ 470	16-φ 28	SD62-2.5	725
350-525B	1680	1515	1355	1255	280	705	880	1200	φ 22	φ 350	φ 520	φ 470	16-φ 28	SD62-2.5	725
350-600	1880	1515	1495	1255	280	705	1080	1200	φ 22	φ 350	φ 520	φ 470	16-φ 28	SD62-2.5	725
350-600A	1880	1515	1495	1255	280	705	1080	1200	φ 22	φ 350	φ 520	φ 470	16-φ 28	SD62-2.5	725
350-600B	1880	1515	1495	1255	280	705	1080	1200	φ 22	φ 350	φ 520	φ 470	16-φ 28	SD62-2.5	725
350-315G	1641	1065	1265	805	260	515	880	750	φ 22	φ 350	φ 520	φ 470	16-φ 28	SD62-2	535
350-315GA	1531	1065	1160	805	260	515	780	750	φ 22	φ 350	φ 520	φ 470	16-φ 28	SD62-2	535
350-315GB	1378	1065	1120	805	260	515	780	750	φ 22	φ 350	φ 520	φ 470	16-φ 28	SD62-2	535
350-400G	1650	1210	1250	905	285	555	880	850	φ 22	φ 350	φ 520	φ 470	16-φ 28	SD62-2.5	575
350-400GA	1650	1210	1250	905	285	555	880	850	φ 22	φ 350	φ 520	φ 470	16-φ 28	SD62-2.5	575
350-400GB	1650	1210	1250	905	285	555	880	850	φ 22	φ 350	φ 520	φ 470	16-φ 28	SD62-2.5	575
350-450G	1592	1255	1190	905	290	555	780	850	φ 22	φ 350	φ 520	φ 470	16-φ 28	SD62-2.5	575
350-450GA	1419	1255	1135	905	290	555	780	850	φ 22	φ 350	φ 520	φ 470	16-φ 28	SD62-2.5	575
350-525G	1700	1365	1315	955	300	625	880	900	φ 22	φ 350	φ 520	φ 470	16-φ 28	SD62-2.5	645
350-525GA	1700	1365	1315	955	300	625	880	900	φ 22	φ 350	φ 520	φ 470	16-φ 28	SD62-2.5	645
350-525GB	1700	1365	1315	955	300	625	880	900	φ 22	φ 350	φ 520	φ 470	16-φ 28	SD62-2.5	645
350-620G	1920	1455	1455	1105	320	655	1080	1050	φ 22	φ 350	φ 520	φ 470			

SLWD型泵安装尺寸表 SLWD type pump dimension table

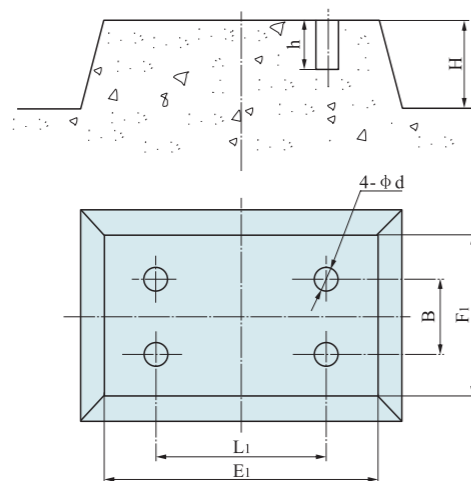
型号 Type	外形尺寸 Figure dimensions				安装尺寸 Installing dimensions					进出口法兰尺寸 In-outlet flange dimensions				隔振垫 Vibration-insulating pad	
	L	H	E	F	a	h	L ₁	B	4-do	DN	D	D ₁	n-d	型号 Type	H ₁
40-160	387	355	395	340	80	195	260	310	φ 12	φ 40	φ 150	φ 110	4-φ 19	SD41-0.5	215
40-200	450	405	415	370	85	235	250	330	φ 14	φ 40	φ 150	φ 110	4-φ 19	SD41-0.5	255
40-250	475	455	475	450	90	255	300	410	φ 14	φ 40	φ 150	φ 110	4-φ 19	SD41-0.5	275
40-250A	465	455	440	450	90	255	250	410	φ 14	φ 40	φ 150	φ 110	4-φ 19	SD41-0.5	275
40-250B	465	455	440	450	90	255	250	410	φ 12	φ 40	φ 150	φ 110	4-φ 19	SD41-0.5	275
50-125	389	325	400	300	80	180	220	270	φ 12	φ 50	φ 165	φ 125	4-φ 19	SD41-0.5	200
50-160	460	355	420	340	90	195	260	310	φ 12	φ 50	φ 165	φ 125	4-φ 19	SD41-0.5	215
50-200	447	405	415	355	80	225	250	315	φ 14	φ 50	φ 165	φ 125	4-φ 19	SD41-0.5	245
50-250	517	470	485	440	95	255	300	400	φ 14	φ 50	φ 165	φ 125	4-φ 19	SD41-0.5	275
50-250A	492	470	460	440	95	255	300	400	φ 14	φ 50	φ 165	φ 125	4-φ 19	SD41-0.5	275
50-250B	492	470	460	440	95	255	300	400	φ 14	φ 50	φ 165	φ 125	4-φ 19	SD41-0.5	275
65-125	460	340	420	315	90	175	250	285	φ 12	φ 65	φ 185	φ 145	4-φ 19	SD41-0.5	195
65-160	462	365	410	340	100	195	250	310	φ 12	φ 65	φ 185	φ 145	4-φ 19	SD41-0.5	215
65-200	485	425	430	375	100	235	250	345	φ 12	φ 65	φ 185	φ 145	4-φ 19	SD61-0.5	255
65-200A	485	425	430	375	100	235	250	345	φ 12	φ 65	φ 185	φ 145	4-φ 19	SD61-0.5	255
65-250	565	495	510	450	105	255	330	410	φ 14	φ 65	φ 185	φ 145	4-φ 19	SD61-0.5	275
65-250A	520	495	475	450	105	255	300	410	φ 14	φ 65	φ 185	φ 145	4-φ 19	SD61-0.5	275
65-250B	520	495	475	450	105	255	300	410	φ 14	φ 65	φ 185	φ 145	4-φ 19	SD61-0.5	275
65-315	584	570	525	475	105	300	300	435	φ 14	φ 65	φ 185	φ 145	4-φ 19	SD61-0.5	320
65-315A	569	570	515	475	105	300	300	435	φ 14	φ 65	φ 185	φ 145	4-φ 19	SD61-0.5	320
65-315B	569	570	515	475	105	300	300	435	φ 14	φ 65	φ 185	φ 145	4-φ 19	SD61-0.5	320
80-125	465	395	425	385	90	195	280	345	φ 14	φ 80	φ 200	φ 160	8-φ 19	SD61-0.5	215
80-160	510	435	445	400	120	235	280	360	φ 14	φ 80	φ 200	φ 160	8-φ 19	SD61-0.5	255
80-200	567	450	500	415	105	235	300	375	φ 14	φ 80	φ 200	φ 160	8-φ 19	SD61-0.5	255
80-200A	522	450	470	415	105	235	300	375	φ 14	φ 80	φ 200	φ 160	8-φ 19	SD61-0.5	255
80-250	588	495	510	490	125	255	340	445	φ 14	φ 80	φ 200	φ 160	8-φ 19	SD61-0.5	275
80-250A	588	495	510	490	125	255	340	445	φ 14	φ 80	φ 200	φ 160	8-φ 19	SD61-0.5	275
80-250B	588	495	510	490	125	255	340	445	φ 14	φ 80	φ 200	φ 160	8-φ 19	SD61-0.5	275
80-315	691	610	575	485	135	320	400	445	φ 14	φ 80	φ 200	φ 160	8-φ 19	SD61-0.5	340
80-315A	691	610	575	485	135	320	400	445	φ 14	φ 80	φ 200	φ 160	8-φ 19	SD61-0.5	340
80-315B	641	610	550	485	135	320	350	445	φ 14	φ 80	φ 200	φ 160	8-φ 19	SD61-0.5	340
100-125	529	450	485	450	104	235	320	410	φ 14	φ 100	φ 220	φ 180	8-φ 19	SD61-0.5	255
100-160	578	485	520	415	110	235	350	375	φ 14	φ 100	φ 220	φ 180	8-φ 19	SD61-0.5	255
100-160A	533	485	485	415	110	235	320	375	φ 14	φ 100	φ 220	φ 180	8-φ 19	SD61-0.5	255
100-200	571	495	515	450	105	255	350	410	φ 14	φ 100	φ 220	φ 180	8-φ 19	SD61-0.5	275
100-200A	571	495	515	450	105	255	350	410	φ 14	φ 100	φ 220	φ 180	8-φ 19	SD61-0.5	275

SLWD型泵安装尺寸表 SLWD type pump dimension table

型号 Type	外形尺寸 Figure dimensions				安装尺寸 Installing dimensions					进出口法兰尺寸 In-outlet flange dimensions				隔振垫 Vibration-insulating pad	
	L	H	E	F	a	h	L ₁	B	4-do	DN	D	D ₁	n-d	型号 Type	H ₁
100-250	658	565	565	530	125	295	360	490	φ 14	φ 100	φ 220	φ 180	8-φ 19	SD62-1	315
100-250A	608	565	540	530	125	295	340	490	φ 14	φ 100	φ 220	φ 180	8-φ 19	SD62-1	315
100-250B	608	565	540	530	125	295	340	490	φ 14	φ 100	φ 220	φ 180	8-φ 19	SD62-1	315
100-315	795	645	685	540	130	320	480	495	φ 18	φ 100	φ 220	φ 180	8-φ 19	SD62-1	340
100-315A	715	645	625	525	130	320	400	485	φ 14	φ 100	φ 220	φ 180	8-φ 19	SD62-1	340
100-315B	715	645	625	525	130	320	400	485	φ 14	φ 100	φ 220	φ 180	8-φ 19	SD62-1	340
125-160	595	510	520	490	125	255	350	445	φ 14	φ 125	φ 250	φ 210	8-φ 19	SD61-1	275
125-200	667	575	570	515	130	295	380	470	φ 14	φ 125	φ 250	φ 210	8-φ 19	SD61-1	315
125-200A	612	575	540	515	130	295	350	470	φ 14	φ 125	φ 250	φ 210	8-φ 19	SD61-1	315
125-250	748	595	630	495	155	295	405	455	φ 14	φ 125	φ 250	φ 210	8-φ 19	SD62-1	315
125-250A	748	595	630	495	155	295	405	455	φ 14	φ 125	φ 250	φ 210	8-φ 19	SD62-1	315
125-250B	708	595	590	495	155	295	380	455	φ 14	φ 125	φ 250	φ 210	8-φ 19	SD62-1	315
125-315	838	680	715	545	135	340	510	500	φ 18	φ 125	φ 250	φ 210	8-φ 19	SD62-1	360
125-315A	793	680	670	545	135	340	450	500	φ 18	φ 125	φ 250	φ 210	8-φ 19	SD62-1	360
125-315B	793	680	670	545	135	340	450	500	φ 18	φ 125	φ 250	φ 210	8-φ 19	SD62-1	360
125-125(I)	593	535	520	455	125	255	350	415	φ 14	φ 125	φ 250	φ 210	8-φ 19	SD61-1	275
125-160(I)	608	535	530	455	125	255	350	415	φ 14	φ 125	φ 250	φ 210	8-φ 19	SD61-1	275
125-160(I)A	593	535	520	455	125	255	350	415	φ 14	φ 125	φ 250	φ 210	8-φ 19	SD61-1	275
125-200(I)	663	605	565	485	130	295	300	445	φ 14	φ 125	φ 250	φ 210	8-φ 19	SD61-1	315
125-200(I)A	663	605	565	485	130	295	300	445	φ 14	φ 125	φ 250	φ 210	8-φ 19	SD61-1	315
125-250(I)	820	595	685	510	155	295	450	465	φ 18	φ 125	φ 250	φ 210	8-φ 19	SD62-1	315
125-250(I)A	740	595	625	495	155	295	400	455	φ 14	φ 125	φ 250	φ 210	8-φ 19	SD62-1	315
125-250(I)B	700	595	585	495	155	295	400	455	φ 14	φ 125	φ 250	φ 210	8-φ 19	SD62-1	315
125-315(I)	838	680	715	545	135	340	450	500	φ 18	φ 125	φ 250	φ 210	8-φ 19	SD62-1	360
125-315(I)A	793	680	670	545	135	340	450	500	φ 18	φ 125	φ 250	φ 210	8-φ 19	SD62-1	360
125-315(I)B	713	680	610	530	135	340	400	490	φ 14	φ 125	φ 250	φ 210	8-φ 19	SD62-1	360
125-400(I)	982	790	805	665	150	390	600	620	φ 18	φ 125	φ 250	φ 210	8-φ 19	SD62-1	410
125-400(I)A	937	790	770	665	150	390	570	620	φ 18	φ 125	φ 250	φ 210	8-φ 19	SD62-1	410
125-400(I)B	897	790	730	665	150	390	530	620	φ 18	φ 125	φ 250	φ 210	8-φ 19	SD62-1	410
125-400(I)C	862	790	720	665	150	390	520	620	φ 18	φ 125	φ 250	φ 210	8-φ 19	SD62-1	410
150-250(I)	810	695	685	555	145	360	450	510	φ 18	φ 150	φ 285	φ 240	8-φ 23	SD62-1	380
150-250(I)A	730	695	625	555	145	360	400	510	φ 18	φ 150	φ 285	φ 240	8-φ 23	SD62-1	380
150-250(I)B	730	695	625	555	145	360	400	510	φ 18	φ 150	φ 285	φ 240	8-φ 23	SD62-1	380
150-315(I)	852	770	745	645	135	390	500	600	φ 18	φ 150	φ 285	φ 240	8-φ 23	SD62-1	410
150-315(I)A	852	770	745	645	135	390	500	600	φ 18	φ 150	φ 285	φ 240	8-φ 23	SD62-1	410
150-315(I)B	807	770	705	645	135	390	460	600	φ 18	φ 150	φ 285	φ 240	8-φ 23	SD62-1	410

SLW(SLWD)型泵安装基础图 SLW(SLWD) type pump installation basic drawing

硬性联接基础图 Basic figure for rigid joint



SLW型泵基础尺寸表 SLW type pump installation basic table

型号 Type	E ₁	F ₁	L ₁	B	d	H	h
25-110	510	450	260	270	60	200	350
25-125	540	450	260	270	60	200	350
25-125A	540	450	260	270	60	200	350
25-160	560	450	260	270	60	200	350
25-160A	540	450	260	270	60	200	350
32-100	520	430	250	250	60	200	350
32-125	550	430	250	250	60	200	350
32-125A	550	430	250	250	60	200	350
32-160	550	450	260	270	60	200	350
32-160A	550	450	260	270	60	200	350
32-200	640	510	300	330	60	200	350
32-200A	590	510	280	330	60	200	350
40-100	520	450	260	270	60	200	350
40-100A	520	450	260	270	60	200	350
40-125	540	450	260	270	60	200	350
40-125A	540	450	260	270	60	200	350
40-160	610	490	260	310	60	200	350
40-160A	560	490	260	310	60	200	350
40-160B	540	490	260	310	60	200	350
40-200	660	510	300	330	60	200	350
40-200A	660	510	300	330	60	200	350
40-200B	640	510	300	330	60	200	350
40-250	730	590	300	410	60	200	350
40-250A	730	590	300	410	60	200	350
40-250B	730	590	300	410	60	200	350
50-100	540	435	260	255	60	200	350
50-100A	540	435	260	255	60	200	350
50-125	560	450	260	270	60	200	350
50-125A	550	450	260	270	60	200	350
50-160	690	490	260	310	60	200	350
50-160A	640	490	250	310	60	200	350

型号 Type	E ₁	F ₁	L ₁	B	d	H	h
50-160B	640	490	250	310	60	200	350
50-200	710	525	300	345	60	200	350
50-200A	660	495	300	315	60	200	350
50-200B	640	495	300	315	60	200	350
50-250	850	590	400	400	60	200	350
50-250A	850	590	400	400	60	200	350
50-250B	690	590	400	400	60	200	350
65-100	570	445	260	265	60	200	350
65-100A	560	445	260	265	60	200	350
65-125	650	465	300	285	60	200	350
65-125A	590	465	300	285	60	200	350
65-160	650	490	300	310	60	200	350
65-160A	650	490	300	310	60	200	350
65-160B	640	490	300	310	60	200	350
65-200	670	525	350	345	60	200	350
65-200A	670	525	350	345	60	200	350
65-200B	670	525	350	345	60	200	350
65-250	790	590	450	410	60	200	350
65-250A	790	590	450	410	60	200	350
65-250B	790	590	450	410	60	200	350
65-315	990	665	500	485	60	250	350
65-315A	990	665	500	485	60	250	350
65-315B	840	625	500	445	60	250	350
80-100	660	490	300	310	60	200	350
80-100A	610	490	300	310	60	200	350
80-125	730	525	300	345	60	200	350
80-125A	680	495	300	315	60	200	350
80-160	690	540	350	360	60	200	350
80-160A	690	540	350	360	60	200	350
80-160B	690	540	350	360	60	200	350
80-200	840	590	400	410	60	200	350

SLW型泵基础尺寸表 SLW type pump installation basic table

型号 Type	E ₁	F ₁	L ₁	B	d	H	h
80-200A	840	590	400	410	60	200	350
80-200B	840	590	400	360	60	200	350
80-250	900	625	450	445	60	250	350
80-250A	880	595	450	415	60	200	350
80-250B	790	595	450	415	60	200	350
80-315	1010	710	600	530	60	250	350
80-315A	1050	665	500	485	60	250	350
80-315B	1050	665	500	485	60	250	350
80-315C	1050	665	500	485	60	250	350
80-350	1140	765	600	585	60	250	350
80-350A	1010	715	600	535	60	250	350
80-350B	950	670	600	490	60	250	350
100-100	690	555	350	375	60	200	350
100-100A	640	555	350	375	60	200	350
100-125	810	590	450	410	60	200	350
100-125A	710	555	350	375	60	200	350
100-160	800	590	450	410	60	200	350
100-160A	800	590	450	410	60	200	350
100-160B	800	590	450	410	60	200	350
100-200	910	625	450	445	60	250	350
100-200A	840	590	500	410	60	200	350
100-200B	790	590	500	410	60	200	350
100-250	960	670	550	490	60	250	350
100-250A	960	670	550	490	60	250	350
100-250B	960	670	550	490	60	250	350
100-315	1220	830	600	650	60	250	350
100-315A	1110	765	600	585	60	250	350
100-315B	1110	765	600	585	60	250	350
100-315C	990	710	600	530	60	250	350
100-350	1220	830	700	650	60	250	350
100-350A	1120	830	700	650	60	250	350
100-350B	1120	830	700	650	60	250	350
125-100	710	695	450	415	60	200	350
125-100A	710	595	350	415	60	200	350
125-125	810	595	450	415	60	200	350
125-125A	810	595	450	415	60	200	350
125-160	910	625	450	445	60	250	350
125-160A	890	595	450	415	60	200	350
125-160B	810	595	450	415	60	200	350
125-200	960	670	550	490	60	250	350
125-200A	960	670	550	490	60	250	350
125-200B	860	635	500	455	60	250	350
125-250	1130	765	600	585	60	250	350
125-250A	1000	715	600	535	60	250	350
125-250B	1000	670	550	490	60	250	350
125-315	1210	830	700	650	60	250	350
125-315A	1110	830	700	650	60	250	350
125-315B	1110	830	700	650	60	250	350
150-125	810	605	450	425	60	250	350
150-125A	810	605	450	425	60	250	350
150-160	910	625	450	445	60	250	350

型号 Type	E ₁	F ₁	L ₁	B	d	H	h
150-160A	890	605	450	425	60	250	350
150-160B	810	605	450	425	60	250	350
150-200	860	680	500	500	60	250	350
150-200A	820	680	450	500	60	250	350
150-200B	770	680	400	500	60	250	350
150-250	880	690	500	510	60	250	350
150-250A	870	690	500	510	60	250	350
150-250B	830	690	500	510	60	250	350
150-315	1040	780	500	600	60	250	350
150-315A	970	780	500	600	60	250	350
150-315B	890	780	500	600	60	250	350
150-350	1300	940	750	740	80	300	450
150-350A	1300	940	750	740	80	300	450
150-350B	1150	830	700	650	60	250	350
150-400	1190	780	550	600	60	250	350
150-400A	990	780	550	600	60	250	350
150-400B	980	780	550	600	60	250	350
150-400C	910	780	550	600	60	250	350
150-500	1160	880	700	700	60	250	350
150-500A	1160	880	700	700	60	250	350
150-500B	1060	880	700	700	60	250	350
150-250(I)	1220	830	600	650	60	250	350
150-250(I)A	1080	765	600	585	60	250	350
150-250(I)B	1090	715	500	535	60	250	350
150-315(I)	1300	940	750	740	80	300	450
150-315(I)A	1250	830	700	650	60	250	350
150-315(I)B	1150	830	700	650	60	250	350
200-200	70	710	500	530	60	250	350
200-200A	820	710	450	530	60	250	350
200-250	870	710	500	530	60	250	350
200-250A	870	710	500	530	60	250	350
200-250B	820	710	450	530	60	250	350
200-315	1020	800	550	620	60	250	350
200-315A	970	800	500	620	60	250	350
200-315B	970	800	500	620	60	250	350
200-400	1060	800	550	620	60	250	350
200-400A	1020	800	550	620	60	250	350
200-400B	1020	800	550	620	60	250	350
200-400C	970	800	500	620	60	250	350
200-200G	970	800	500	620	60	250	350
200-200GA	970	800	500	620	60	250	350
200-250G	970	800	500	620	60	250	350
200-250GA	970	800	500	620	60	250	350
200-250GB	970	800	500	620	60	250</	

SLW型泵基础尺寸表 SLW type pump installation basic table

型号 Type	E ₁	F ₁	L ₁	B	d	H	h
200-500G	1330	980	800	780	80	300	450
200-500GA	1280	980	750	780	80	300	450
200-500GB	1230	980	700	780	80	300	450
200-500GC	1130	960	700	780	60	250	350
200-200(I)	970	800	500	620	60	250	350
200-200(I)A	970	800	500	620	60	250	350
200-250(I)	1020	800	550	620	60	250	350
200-250(I)A	970	800	500	620	60	250	350
200-250(I)B	970	800	500	620	60	250	350
200-315(I)	1120	860	650	680	60	250	350
200-315(I)A	1070	860	600	680	60	250	350
200-315(I)B	1020	860	550	680	60	250	350
200-400(I)	1260	880	750	680	80	300	450
200-400(I)A	1170	880	700	680	80	300	450
200-400(I)B	1120	860	650	680	60	250	350
200-400(I)C	1070	860	600	680	60	250	350
200-500(I)	1430	980	900	780	80	300	450
200-500(I)A	1330	980	800	780	80	300	450
200-500(I)B	1280	980	750	780	80	300	450
200-500(I)C	1230	980	700	780	80	300	450
250-250(I)	1070	900	600	720	60	250	350
250-250(I)A	970	900	600	720	60	250	350
250-235	970	900	600	720	60	250	350
250-300	970	900	600	720	60	250	350
250-315	1170	930	700	730	80	300	450
250-315A	1170	930	650	730	80	300	450
250-315B	1170	900	600	720	60	250	350
250-400	1420	930	750	730	80	300	450
250-400A	1420	930	750	730	80	300	450
250-400B	1270	930	700	730	80	300	450
250-500	1530	1000	900	800	80	300	450
250-500A	1530	1000	900	800	80	300	450
250-500B	1430	1000	800	800	80	300	450
300-235	1250	950	680	750	80	300	450
300-235A	1220	950	580	750	80	300	450
300-235B	1170	950	580	750	80	300	450
300-250	1250	950	680	750	80	300	450
300-250A	1220	950	580	750	80	300	450
300-300	1350	1050	680	850	80	300	450
300-300A	1240	1050	680	850	80	300	450
300-300B	1200	1050	580	850	80	300	450
300-315	1260	950	780	750	80	300	450
300-315A	1360	950	680	750	80	300	450
300-315B	1250	950	680	750	80	300	450
300-400	1480	950	780	750	80	300	450
300-400A	1420	950	780	750	80	300	450
300-450	1580	950	880	750	80	300	450
300-450A	1480	950	780	750	80	300	450
300-450B	1260	950	780	750	80	300	450
300-450C	1360	950	680	750	80	300	450

型号 Type	E ₁	F ₁	L ₁	B	d	H	h
300-500	1850	1050	980	850	80	300	450
300-500A	1610	1050	880	850	80	300	450
300-500B	1610	1050	880	850	80	300	450
300-500C	1510	1050	780	850	80	300	450
350-235	1300	1200	580	750	80	300	450
350-300	1450	1200	680	750	80	300	450
350-315	1500	1200	780	750	80	300	450
350-400	1650	1200	880	750	80	300	450
350-450	1750	1650	880	1200	80	300	450
350-450A	1650	1650	780	1200	80	300	450
350-500	1850	1350	1080	900	80	300	450
350-525	1900	1650	1080	1200	80	300	450
350-525A	1750	1650	880	1200	80	300	450
350-525B	1750	1650	880	1200	80	300	450
350-600	1900	1650	1080	1200	80	300	450
350-600A	1900	1650	1080	1200	80	300	450
350-600B	1900	1650	1080	1200	80	300	450
350-315G	1650	1200	880	750	80	300	450
350-315GA	1550	1200	780	750	80	300	450
350-315GB	1550	1200	780	750	80	300	450
350-400G	1650	1300	880	850	80	300	450
350-400GA	1650	1300	880	850	80	300	450
350-400GB	1650	1300	880	850	80	300	450
350-450G	1600	1300	780	850	80	300	450
350-450GA	1600	1300	780	850	80	300	450
350-525G	1700	1350	880	900	80	300	450
350-525GA	1700	1350	880	900	80	300	450
350-525GB	1700	1350	880	900	80	300	450
350-620G	1850	1500	1080	1050	80	300	450
350-620GA	1850	1500	1080	1050	80	300	450
350-620GB	1700	1500	880	1050	80	300	450
350-315(I)	1650	1300	880	850	80	300	450
350-315(I)A	1650	1300	880	850	80	300	450
350-315(I)B	1550	1300	780	850	80	300	450
350-400(I)	1750	1300	980	850	80	300	450
350-400(I)A	1650	1300	880	850	80	300	450
350-400(I)B	1650	1300	880	850	80	300	450
400-300	1550	1300	780	850	100	350	550
400-315	1700	1300	880	850	100	350	550
400-450	1900	1700	1080	1210	100	350	550
400-450A	1750	1700	880	1210	100	350	550
400-500	1900	1700	1080	1210	100	350	550
400-500A	1900	1700	1080	1210	100	350	550
400-500B	1900	1700	1080	1210	100	350	550
400-600	2250	1700	1280	1210	100	350	550
400-600A	2250	1700	1280	1210	100	350	550
400-600B	1900	1700	1080	1210	100	350	550
400-600C	1900	1700	1080	1210	100	350	550
500-300	1650	1400	780	910	100	350	550
500-315	1750	1400	880	910	100	350	550

SLWD型泵基础尺寸表 SLWD type pump installation basic table

型号 Type	E ₁	F ₁	L ₁	B	d	H	h
40-160	600	550	260	310	60	200	350
40-200	600	550	250	330	60	200	350
40-250	700	650	300	410	60	200	350
40-250A	650	650	250	410	60	200	350
40-250B	650	650	250	410	60	200	350
50-125	600	600	220	270	60	200	350
50-160	650	550	260	310	60	200	350
50-200	650	550	250	315	60	200	350
50-250	700	650	300	400	60	200	350
50-250A	700	650	300	400	60	200	350
50-250B	700	650	300	400	60	200	350
65-125	600	500	250	285	60	200	350
65-160	600	550	250	310	60	200	350
65-200	650	600	250	345	60	200	350
65-200A	650	600	250	345	60	200	350
65-250	700	650	330	410	60	200	350
65-250A	700	650	300	410	60	200	350
65-250B	700	650	300	410	60	200	350
65-315	750	700	300	435	60	200	350
65-315A	750	700	300	435	60	200	350
65-315B	750	700	300	435	60	200	350
80-125	650	600	280	345	60	200	350
80-160	650	600	280	360	60	200	350
80-200	700	600	300	375	60	200	350
80-200A	650	600	300	375	60	200	350
80-250	700	700	340	445	60	200	350
80-250A	700	700	340	445	60	200	350
80-250B	700	700	340	445	60	200	350
80-315	800	700	400	445	60	200	350
80-315A	800	700	400	445	60	200	350
80-315B	750	700	350	445	60	200	350
100-125	600	550	320	410	60	200	350
100-160	740	555	350	375	60	200	350
100-160A	600	520	320	375	60	200	350
100-200	650	550	350	410	60	200	350
100-200A	650	550	350	410	60	200	350

型号 Type	E ₁	F ₁	L ₁	B	d	H	h
100-250	700	650	650	490	60	200	350
100-250A	700	650	650	490	60	200	350
100-250B	700	650	650	490	60	200	350
100-315	820	650	650	495	60	250	350
100-315A	800	650	650	485	60	200	350
100-315B	800	650	650	485	60	200	350
125-160	700	600	600	445	60	200	350
125-200	750	650	650	470	60	200	350
125-200A	700	650	650	470	60	200	350
125-250	875	635	635	455	60	200	350
125-250A	875	635	635	455	60	200	350
125-250B	750	650	650	455	60	200	350
125-315	850	650	650	500	60	250	350
125-315A	840	680	680	500	60	250	350
125-315B	840	680	680	500	60	250	350
125-125(I)	740	595	595	455	60	200	350
125-160(I)	760	595	595	415	60	200	350
125-160(I)A	760	595	595	415	60	200	350
125-200(I)	860	625	625	445	60	200	350
125-200(I)A	860	625	625	445	60	200	350

管路损耗参考表 Reference table for pipeline loss

管径 Pipe diameter (mm)	流 量 Capacity (L/s)									
	1	2	4	6	8	10	15	20	25	30
25	32.7	13.0								
38	3.5	14	55							
50	0.8	3.1	13	29						
65		1.6	3.2	7.1	13	20				
75		0.4	0.8	3.3	5.9	9.6	21.6			
100			0.23	0.8	1.3	2.1	6.8	8.6	13	19.4
125				0.23	0.4	0.63	1.3	2.7	4.1	5.9
150					0.16	0.26	0.58	1.1	1.6	2.3
175						0.11	0.27	0.5	0.74	1.05
200							0.13	0.26	0.37	0.53
250								0.07	0.12	0.18
300										0.07

直管摩擦损失简表(供估计用)100m直管损失米数以新铸铁管为标准,旧管加倍。
Brief table for the frictional loss of a straight pipe(for evaluation),the lost meters of a 100m straight pipe takes the newly cast iron pipe as the standard and multiple for the old one.

阀及弯管折合直管长度(每个)
The length of a straight pipe converted into from both valve and elbow(each)

种类 Variety	折合直管直径倍数 Convert into the times of the diameter of a straight pipe	备注 Remark
标准弯管 Standard elbow	12	未畅开加倍 Multiple in case of unopen
全开闸阀 Fully opened gate valve	25	
截止阀 Back valve	100	
底阀 Foot valve	100	部分堵塞加倍 Partial block-up multiplied

注: 例如100mm直径管,底阀折合100倍直径等于100×100=10000mm=10m直径长度,假定流量为8L/s直上表,直管每100m损失1.3m,则10m损失0.13m,即一个100mm底阀,流量为8L/s时,则损失扬程0.13m。
Note: For instance, a 100mm diameter pipe, the foot valve has a 100×100=10000mm=10m diameter when which is converted into 100 times that of the pipe's diameter. Suppose the flow is 8L/s, looked into the above table, the loss of the straight pipe is 1.3m each 100m, then the one for 100mm is 0.13m, that is, for a 100mm foot valve with a flow 8L/s, its head loss is 0.13m.

一定管径直径之最大流量限制
Limit of the maximum flow for a pipe with a certain diameter

管径直径 Pipeline diameter (mm)	最大流量 Maximum flow (L/s)	最大流速 Maximum flow rate (m/s)	管径直径 Pipeline diameter (mm)	最大流量 Maximum flow (L/s)	最大流速 Maximum flow rate (m/s)
25	1	2.04	125	30.0	2.44
38	2.5	1.69	150	43.0	2.45
50	4.17	2.12	175	60.0	2.49
65	6.67	2.01	200	83.3	2.69
75	10.0	2.26	250	133.0	2.72
100	18.4	2.33	300	192.0	2.71

注: 超过此限使管路损失显著增加。
Note: The pipeline loss would be made greatly increased once the limit is over.

典型案例 typical case enterprise class



辅仁药业集团有限公司
中国德州亚太公司
秦皇岛中油石化公司
长沙长维节能技术有限公司
临沂发电责任有限公司
苏州卡瑞吉机电设备有限公司
德州六顺电气自动化设备有限公司
福建安砂建福水泥有限公司
山东汉邦工贸有限公司
光大环保科技有限公司
山东浩宇能源有限公司
冀东水泥凤翔有限责任公司
上虞市联通空调成套工程有限公司
天长市人民医院
唐山文丰山川轮毂有限公司
泉州市华威机械制造有限公司
国电吉林龙华热电股份有限公司
乐星机电设备工程有限公司
中冶京诚工程技术有限公司
南昌昌北机场扩建工程项目部
龙泰建筑公司
华北制药股份有限公司
大连三洋制冷有限公司
欧尚超市
南通市博南润滑液压设备有限公司
南通市博南润滑液压设备有限公司
绍兴翔宇绿色包装有限公司
通领科技集团有限公司
青岛后海热电有限公司
胶南市易通热电有限责任公司
广州汇迪投资管理有限公司

阳泉市热力公司
宣州区农村饮水安全工程建设管理处
阳泉市热力公司
深圳市行健自动化系统有限公司
百事饮料(南昌)有限公司
蓝天锅炉有限公司
南京云海特种金属股份有限公司
吉林英联生物技术有限公司
青岛后海热电有限公司
同方股份有限公司
上海市建设机电安装公司
上海连高置业发展有限公司
鞍山金和矿业有限公司
武汉市科凌暖通设备工程有限责任公司
山东福洋生物科技有限公司
贵州建设物质有限公司
青岛海晶化工集团有限公司
山东福洋生物科技有限公司
贵州建设物质有限公司
重庆海螺水泥有限责任公司
四川省工业设备安装公司
辽宁华孚环境工程有限公司
绍兴伽瑞印染有限公司
阳泉市三洲园林绿化工程有限公司
广州贝龙环保热力设备股份有限公司
辽宁忠旺集团有限公司
云南大唐水电联合开发有限公司
长沙长维节能技术有限公司
上海乐泽环境工程公司
上海凡清工程有限公司
青岛钢铁有限公司

南阳兴达房地产公司
苏州鑫德利机电有限公司
上海柏易建设工程有限公司
宁波科新节能技术有限公司
北京朗新明环保科技有限公司
江西华剑空调设备工程有限公司
昌大建设集团有限公司
济宁慧琳机电有限公司
苏州第一百货商店
陕西北元化工有限公司
长沙长维节能技术有限公司
长沙通程控股股份有限公司
上海金研机械制造有限公司
西部机场集团公司
北京怡百信环境工程有限公司
广西南宁煌宇机电设备有限公司
青岛多元房地产开发有限公司
唐山贝氏体钢铁(集团)工业气体有限公司
长沙长维节能技术有限公司
济南惠康冷暖工程有限公司
济宁慧琳机电有限公司
京山县土地整理中心
云南锡业股份有限公司
重庆通用机械工业公司
瑞丰经贸有限公司
北京长春轨道客车集团有限责任公司
厦门海懋工程设备有限公司
深圳市满京华投资集团有限公司
唐山精诚冶金设备技术开发有限公司
山东金晶科技股份有限公司
晋西机器工业集团