



SLS新系列单级单吸立式离心泵 (2021 版)

SLS NEW SERIES SINGLE-STAGE SINGLE-SUCTION VERTICAL CENTRIFUGAL PUMP



上海连成（集团）有限公司
SHANGHAI LIANCHENG (GROUP) CO., LTD.

地址：上海市江桥镇曹安公路3616-3618号
邮编：201812
总机：(021) 59138888
传真：(021) 59136782
800免费咨询电话：800-820-5009
400免费咨询电话：400-188-3339

Address: 3616-3618 Can'an Road, Jiangqiao Shanghai
P.C.: 201812
Switchboard: (021) 59138888
Fax: (021) 59136782
800 Free consultation Tel: 800-820-5009
400 Free consultation Tel: 400-188-3339



连成集团微信订阅号

目 录

CONTENTS

产品概述、产品特点 Outline of the product, Product features	1
主要用途、压力试验 Chief usage, Pressure test	2
工作条件、型号意义 Working conditions, Model meaning	3
结构特征 Structural features	4
SLS(SLSD)型泵结构图 The configuration of SLS(SLSD) type pump	4
泵材质、订货须知 The pump material, Ordering instructions	5
SLS(SLSD)型谱图 The configuration of SLS(SLSD) atlas of style	5
SLS(SLSD)型泵性能参数 SLS(SLSD) type pump performance data	7
SLS(SLSD)型泵安装尺寸图、尺寸表 SLS(SLSD) type pump dimension figure、dimension table	14
泵附件及安装基础图表 Pump spare parts and installation basic figure table	22
SLS型泵无隔振安装基础图、尺寸表 Installation basic drawing and table of dimension for SLS type pump non-isolation	23
泵的安装方式 installation methods for pump	24
管路损耗参考表 Reference table for pipeline loss	25

产品概述 Outline of the product

SLS新系列单级单吸立式离心泵，是本公司采用现代最优秀的水力模型，严格按照国际标准ISO 2858和最新国家标准GB 19726-2007《清水离心泵能效限定值及节能评价》设计制造的新颖产品，是替代IS型卧式泵、DL型泵等常规产品的新颖立式离心泵。

分基本型、扩流型、A、B、C切割型等250多种规格。根据流体介质和温度不同，设计制造成同性能参数的SLR型热水泵、SLH型化工泵、SLY型油泵和SLHY型立式防爆化工泵系列产品。

产品特点 Product features

1、泵结构紧凑、体积小、外形美观。其立式结构重心较低且重心重合于泵脚中心，增强了泵的运行稳定性和寿命。

2、安装方便。进出口径相同并在同一中心线上，可像阀门一样直接安装在管路任何部位。电机加上防雨罩可置于户外使用。泵设有安装底脚，以使泵的安装稳定。

3、运行平稳、噪音低、组件同心度高。电机采用低噪音轴承，并设有不停机加油装置，泵叶轮具有极好的动静平衡，运行无振动，改善了使用环境。

4、无渗漏。轴封采用耐腐硬质合金机械密封，解决了离心泵填料严重渗漏问题，延长了使用寿命，确保了运行场地干净整洁。

5、维修方便。无需拆卸管道，只要拆下泵盖螺母，取出电机及传动组件即可进行检修维护。

6、可根据现场使用条件，泵机可立式、卧式、多方式安装，依据流量扬程要求，采用并、串联方式，增加所需流量扬程。

SLS new series single-stage single-suction vertical centrifugal pump, the company adopts the modern most excellent hydraulic model, in strict accordance with international standards ISO 2858 and the latest national standard GB 19726-2007 centrifugal pump the water limit values of energy efficiency and energy conservation value, the design and manufacture of new products, alternative IS horizontal pump, DL is novel vertical centrifugal pump of pump such as conventional products.

There are basic type, by-passtype, A、B、C cutting type etc. more than 250 specifications. And per the different flow medium and temperature, SLR hot-water pump, SLH chemical pump and SLY oil pump and SLHY vertical non-explosive chemical pump. etc. series products. of the same type and same property data have been designed and made.

1. Pump compact structure, small volume, beautiful appearance. Its vertical center of gravity is lower and the center of gravity coincides with the center of pump foot, which enhances the running stability and service life of the pump.

2. Easy installation. The inlet and outlet diameters are the same and on the same center line, which can be directly installed in any part of the pipeline like a valve. The motor with rain cover can be used outdoors. The pump is provided with an installation foot to make the installation of the pump stable.

3. Stable operation, low noise and high concentricity of components. The motor adopts low noise bearing, and is equipped with non-stop refueling device, pump impeller has excellent dynamic and static balance, no vibration, improve the operating environment.

4. No leakage. The shaft seal adopts anticorrosive hard alloy mechanical seal, which solves the problem of serious leakage of centrifugal pump packing, prolonging the service life and ensuring the operation site is clean and tidy.

5. Convenient maintenance. Do not need to remove the pipe, just remove the pump cover nut, remove the motor and transmission components for maintenance.

6. The pump can be installed in vertical, horizontal and multi-mode according to the field operating conditions. The pump can be installed in parallel or series mode to increase the required flow head according to the requirements of flow head.

主要用途 Chief usage

1、SLS型立式离心泵，供输送清水及物理性质类似清水的其他液体之用。使用介质温度80℃以下。适用于工业和城市给排水、高层建筑增压送水、园林喷灌、消防增压、远距离输水、采暖、浴室冷暖水循环增压及设备配套等。

2、SLR型立式热水泵，适用于有供热系统的民用及企业事业单位的建筑住房供暖及热水增压、循环、输送等生产工艺供热系统，如电站、热电站、余热利用、冶金、化工、防止、木材加工、造纸等工业锅炉高温热水，使用温度100℃以下。

3、SLH型立式化工泵，输送不含固体颗粒具有腐蚀性其粘度类似水的液体。适用于轻纺、室友、化工、冶金、电力、造纸、食品、制药和合成纤维等部门。使用温度-20℃~100℃。

4、SLY型立式防爆油泵，适用于石油、轻纺、化工、机械等行业输送无腐蚀、易燃、易爆液体，被输送介质温度-20℃~100℃。

介质密度 $\rho < 1000 \text{Kg/m}^3$ 。

5、SLHY型式防爆化工泵输送不含固体颗粒具有腐蚀性其粘度类似水且易燃易爆的液体。适用于石油、轻纺、化工、冶金、矿山、制药和合成纤维等部门，使用温度-20℃~100℃。

1. SLS type vertical centrifugal pump is used for transporting clean water and other liquids with physical properties similar to clean water. Medium temperature is below 80 °C . It is suitable for industrial and urban water supply and drainage, supercharging water supply in high-rise buildings, sprinkling irrigation in gardens, supercharging fire fighting, long-distance water supply, heating, supercharging water circulation in bathrooms and supporting equipment.

2. SLR type vertical hot water pump, suitable for a heating system of enterprises and institutions in civil and building housing heating and hot water pressurization, circulation, production process, such as heating system, such as power plant, thermal power plants, waste heat utilization, metallurgy, chemical industry, prevent, wood processing, paper and other industrial boiler high temperature hot water, using temperature below 100 °C.

3. SLH type vertical chemical pump, transport does not contain solid particles with corrosive viscosity similar to water liquid. Suitable for light textile, roommate, chemical industry, metallurgy, electric power, paper making, food, pharmaceutical and synthetic fiber sectors. Operating temperature: -20°C~100°C.

4. SLY type vertical explosion-proof oil pump, suitable for oil, textile, chemical, machinery and other industries to transport non-corrosive, flammable, explosive liquid, medium temperature -20°C~100°C.

P is $\rho < 1000 \text{Kg/m}^3$.

5. SLHY type explosion-proof chemical pump transport does not contain solid particles with corrosive viscosity similar to water and flammable explosive liquid. Suitable for petroleum, light textile, chemical industry, metallurgy, mining, pharmaceutical and synthetic fiber and other sectors, using temperature -20°C~100°C.

压力试验 Pressure test

设计压力 (泵扬程) Design pressure (pump head)	测试压力 The test pressure	承压零件材质 Material of pressure bearing parts
≤0.8MPa	(0.2+设计压力 Design pressure) × 1.3	灰铁 Grey iron (HT200)
>0.8MPa	设计压力 Design pressure × 1.3	灰铁 Grey iron (HT200)

做整机静压力测试，持续5min，不得有渗漏、冒汗等现象。

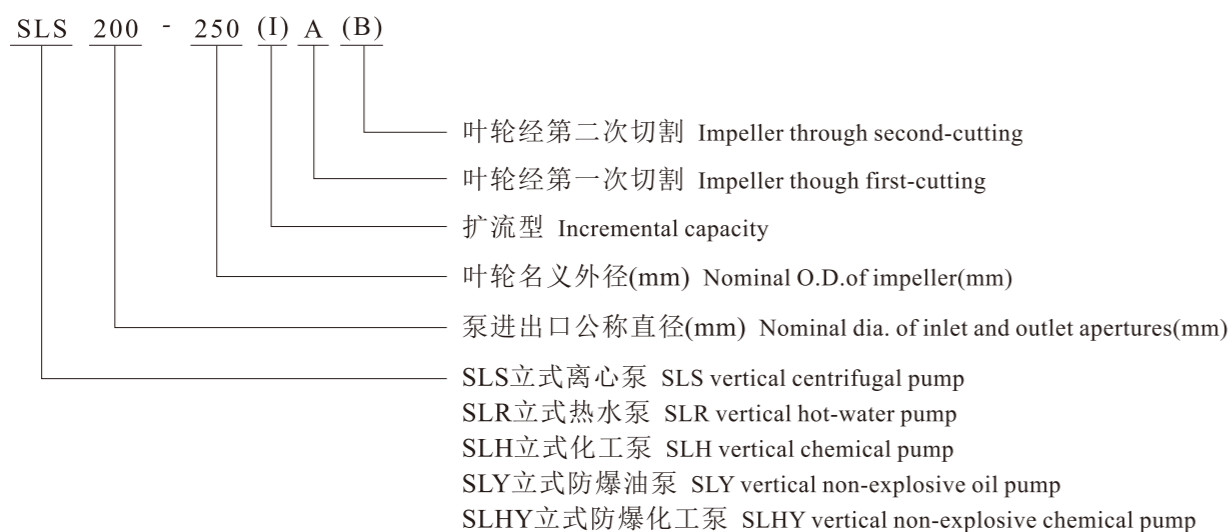
Do static pressure test for the whole machine for 5min, no leakage, sweat and other phenomena.

工作条件 Working conditions

1. 转速: 2950r/min、1480r/min、980r/min
电压: 380V
口径: 15~350mm
流量范围: 1.5~1400m³/h
扬程范围: 4.5~150m
介质温度: -10℃~80℃
2. 泵最大工作压力(最大允许进口压力+泵设计压力) < 1.6MPa, 订货请注明系统工作压力; 最大允许进口压力0.4 MPa;
3. 适应介质: 清水介质、无腐蚀性液体。介质固体不溶物, 其体积不超过单位体积的0.1%, 粒度 < 0.2mm, 如介质为带有细小颗粒的请在订货时说明;
4. 周围环境温度不超过40℃; 相对湿度不超过95%; 海拔高度小于1000m。
5. 泵进、出口法兰尺寸相同, 可选配PN16-GB/T 9119-2010配对法兰。
6. 必须汽蚀余量值是设计点值, 实际使用应加0.5m的安全裕量。
7. 相关使用条件不符合样本的选型时须同公司技术部门联系。

1. Speed: 2950r/min, 1480r/min, 980r/min
Voltage: 380V
Aperture: 15~350mm
Flow range: 1.5~1400m³/h
Head range: 4.5~150m
Medium temperature: -10℃ ~ 80℃
2. The maximum working pressure of the pump (maximum allowable inlet pressure + pump design pressure) < 1.6MPa, please indicate the working pressure of the system for ordering; The maximum allowable inlet pressure is 0.4MPa;
3. Suitable medium: water medium, non-corrosive liquid. Medium solid insoluble matter, its volume does not exceed 0.1% of the unit volume, particle size < 0.2mm, if the medium is with small particles, please explain when ordering;
4. Ambient temperature no more than 40 ° C; Relative humidity should not exceed 95%; The altitude is less than 1000m.
5. Pump inlet and outlet flanges have the same size, PN16-GB /T 9119-2010 matching flange is optional.
6. The required cavitation residual value is the design point value, and a safety margin of 0.5m should be added in actual use.
7. Contact the technical department of the company if the relevant operating conditions do not meet the selection of samples.

型号意义 Model meaning

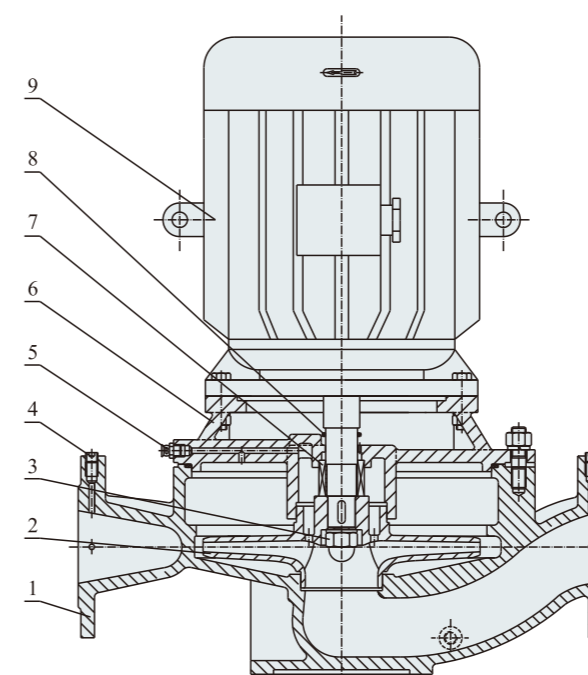


结构特征 Structural features

- 泵为单级单吸离心泵, 安装形式为立式。
- 泵壳
管路连接形式的螺旋形蜗壳, 采用现代优秀水力模型设计制造, 进出口在同一直线上, 且口径相同。法兰符合GB/T 17241.6-2008并可选配Rp1/4或Rp3/8测压口。
- 叶轮
闭式叶轮, 优秀的水力模型保证泵的效率 and 可靠性, 部分改进型号泵的功率较上一代下降一档。
- 电机
采用YE3系列超高效三相异步电动机, 功率和形式符合IEC-Norm。
形式: V1(立式泵)
电源: 380V, 50HZ
防护等级: F
电机轴: 45#钢镶套(连成专利)
转向: 从电机风扇端向下看为顺时针旋向。

- The pump is a single-stage single-suction centrifugal pump, and the installation form is vertical.
- The pump casing
Spiral volute with pipe connection is designed and manufactured by modern excellent hydraulic model. The inlet and outlet are on the same line with the same caliber. Flange conforms to GB/T 17241.6-2008 and can be equipped with Rp1/4 or Rp3/8 pressure port.
- The impeller
Closed impeller, excellent hydraulic model to ensure the efficiency and reliability of the pump, some improved pump power than the previous generation down a gear.
- Motor
YE3 series super-efficient three-phase asynchronous motor is adopted, whose power and form are in conformity with IEC Norm.
Form: V1(vertical pump)
Power supply: 380V, 50HZ
Protection level: F
Motor shaft: 45# steel sleeve (continuous patent)
Turning: clockwise from the fan end of the motor.

SLS(SLSD)型泵结构图 The configuration of SLS(SLSD) type pump



序号 No.	名称 Name	数量 Quantity
1	泵体 Pump casing	1
2	叶轮 Impeller	1
3	叶轮螺母 Impeller nut	1
4	螺塞 Plug	1
5	放气阀 Air discharge valve	1
6	泵盖 Pump cover	1
7	机械密封 Mechanical seal	1
8	挡水圈 Water-bloching ring	1
9	电机 Motor	1

泵材质 The pump material

泵体——铸铁 (HT200)

泵盖——铸铁 (HT200)

叶轮——铸铁 (HT200)

泵轴——45#钢镶套 (连成专利)

机封——石墨、碳化硅

注：上述材质为常规配置，相关材质可按客户要求予以变更。

Pump body -- cast iron (HT200)

Pump cover -- cast iron (HT200)

Impeller -- cast iron (HT200)

Pump shaft -- 45# steel sleeve (continuous patent)

Machine seal -- graphite, silicon carbide

Note: the above materials are conventional configuration, related materials can be changed according to customer requirements.

订货须知 Ordering instructions

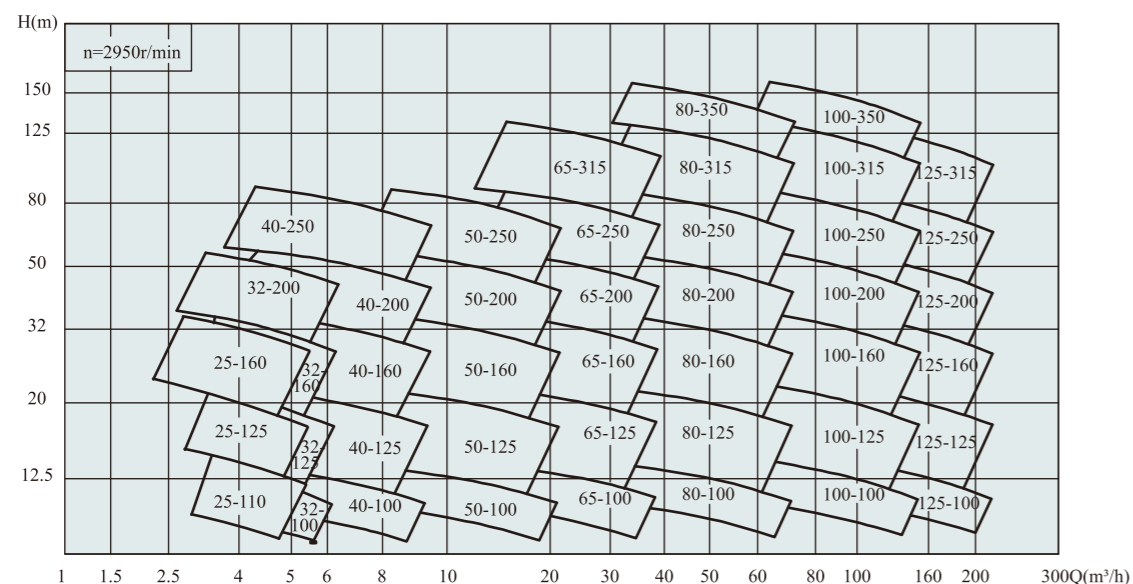
1、输送特殊液体时，请在合同中注明液体名称，温度、密度、浓度、粘性等；

2、对流量、扬程、进口压力，电机电压、频率、防爆等有特殊要求时，均需在合同签订前同技术部门沟通确认，并在合同中注明。

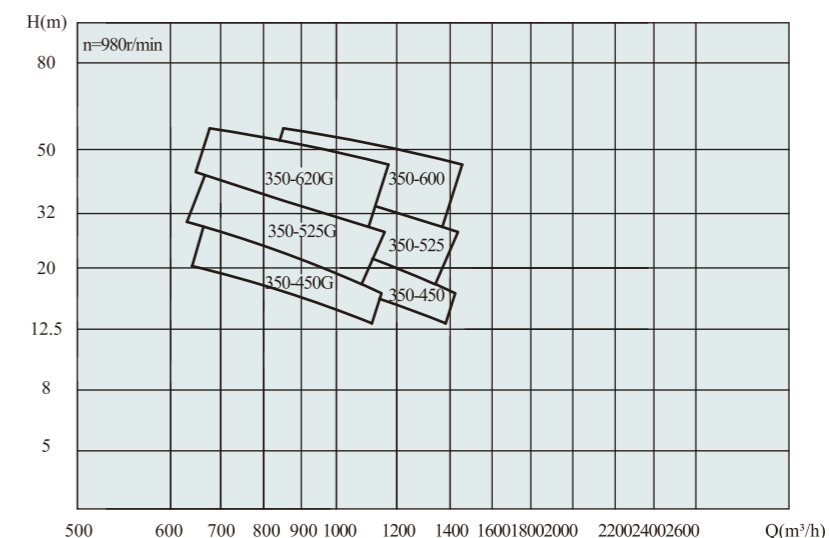
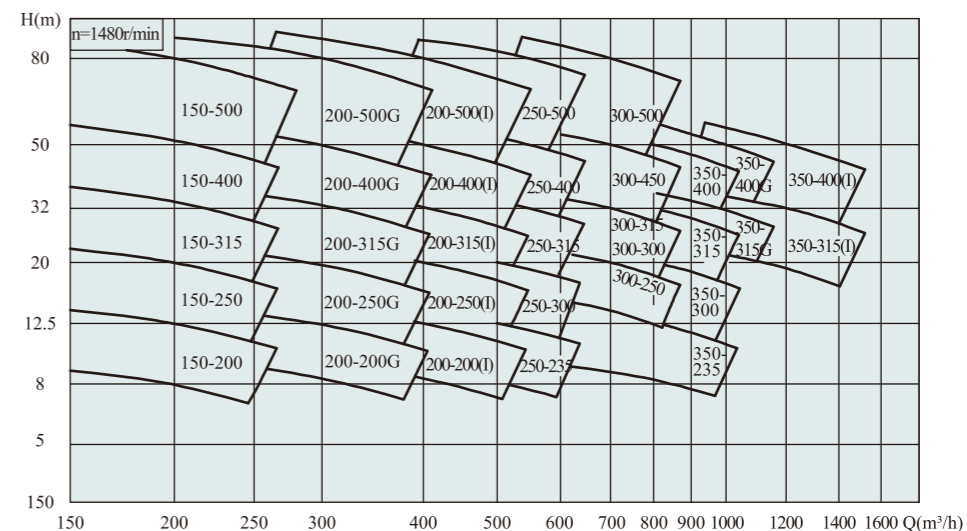
1. Please indicate the name of the liquid, temperature, density, concentration, viscosity, etc. in the contract when transporting special liquid;

2. Special requirements for flow rate, head, inlet pressure, motor voltage, frequency, explosion proof, etc. communicate and confirm with technical department before signing the contract, and indicate in the contract.

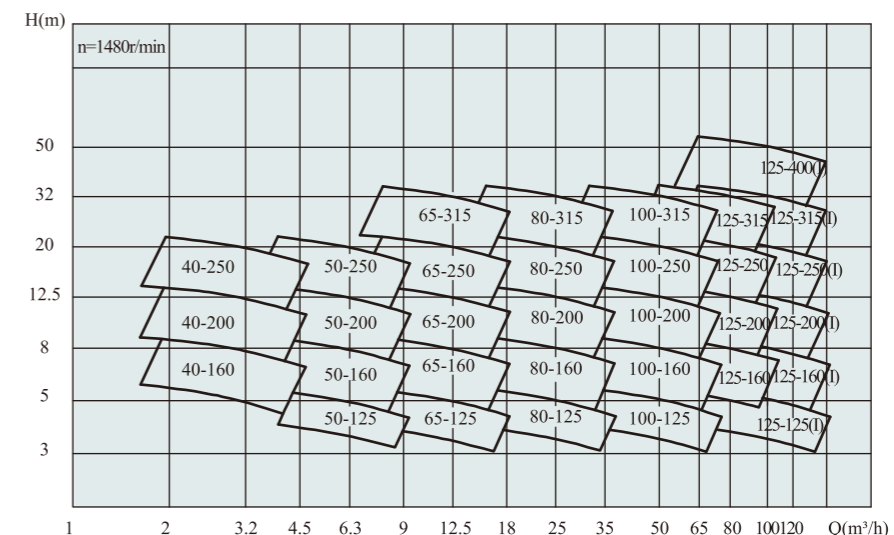
SLS型谱图 SLS atlas of style



SLS型谱图 SLS atlas of style



SLSD型谱图 SLSD atlas of style



SLS型泵性能参数 SLS type pump performance data

型号 Type	流量 Capacity		扬程 Head (m)	电机 功率 Power (kW)	转速 Speed (r/min)	效率 Eff. η (%)	必需汽 蚀余量 (NPSH) _r (m)	重量 Weight (Kg)
	(m³/h)	(L/s)						
SLS15-80	1.1 1.5 2	0.3 0.42 0.56	8.5 8 7	0.18	2950	33.6	2.3	9
SLS20-110	1.8 2.5 3	0.5 0.69 0.83	16 15 13.5	0.37	2950	24.5	2.3	16
SLS20-125	1.8 2.5 3.3	0.5 0.69 0.91	21 20 18.6	0.75	2950	29.2	2.3	26
SLS20-160	1.8 2.5 3	0.5 0.69 0.83	33 32 30	1.1	2950	24.9	2.3	31
SLS25-110	2.8 4 4.8	0.78 1.11 1.33	16 15 13.5	0.55	2950	39	2.3	18
SLS25-125	2.8 4 4.8	0.78 1.11 1.33	20.6 20 18	0.75	2950	40	2.3	28
SLS25-125A	2.5 3.6 4.3	0.69 1 1.19	17 16 14.4	0.55	2950	39	2.3	27
SLS25-160	2.8 4 4.8	0.78 1.11 1.33	33 32 30	1.5	2950	31	2.3	40
SLS25-160A	2.6 3.7 4.4	0.72 1.03 1.22	29 28 26	1.1	2950	30	2.3	30
SLS32-100	3.5 4.5 5.3	0.97 1.25 1.47	14.5 12.5 11	0.55	2950	48	2.3	22
SLS32-125	3.5 5 6	0.97 1.39 1.67	22 20 18	0.75	2950	45	2.3	28
SLS32-125A	3.1 4.5 5.4	0.86 1.25 1.50	17.6 16 14.4	0.55	2950	44	2.3	28
SLS32-160	3.5 4.5 6	0.97 1.25 1.67	34 32 26	1.5	2950	34.1	2.3	35
SLS32-160A	3.5 4.5 6	0.97 1.25 1.67	26.5 25 19	1.1	2950	38.4	2.3	32
SLS32-200	3.5 4.5 5.5	0.97 1.25 1.53	53 50 45	3	2950	24.5	2.3	60
SLS32-200A	3 4 5	1.08 1.11 1.17	43 40 37	2.2	2950	26.3	2.3	53
SLS40-100	4.4 6.3 7.6	1.22 1.75 2.11	13.2 12.5 11.3	0.55	2950	56.2	2.3	38
SLS40-100A	3.9 5.6 6.7	1.08 1.56 1.86	10.6 10.0 9.0	0.37	2950	55.0	2.3	37
SLS40-125	4.4 6.3 7.6	1.22 1.75 2.11	21.0 20.0 18.0	1.1	2950	50.2	2.3	40
SLS40-125A	3.9 5.6 6.7	1.08 1.56 1.86	17.6 16.0 14.4	0.75	2950	50.0	2.3	39
SLS40-160	4.4 6.3 7.6	1.22 1.75 2.11	33.0 32.0 30.0	2.2	2950	43.3	2.3	42
SLS40-160A	4.1 5.9 7.0	1.14 1.64 1.94	29.0 28.0 26.3	1.5	2950	43.0	2.3	37

型号 Type	流量 Capacity		扬程 Head (m)	电机 功率 Power (kW)	转速 Speed (r/min)	效率 Eff. η (%)	必需汽 蚀余量 (NPSH) _r (m)	重量 Weight (Kg)
	(m³/h)	(L/s)						
SLS40-160B	3.8 5.5 6.7	1.06 1.53 1.86	25.5 24.0 22.5	1.1	2950	42.0	2.3	34
SLS40-200	4.4 6.3 7.6	1.23 1.75 2.11	51.0 50.0 48.0	4	2950	34.8	2.3	62
SLS40-200A	4.1 5.9 7.0	1.14 1.64 1.94	45.0 44.0 42.0	3	2950	34.0	2.3	62
SLS40-200B	3.7 5.3 6.4	1.03 1.47 1.78	37.0 36.0 34.5	2.2	2950	33.0	2.3	55
SLS40-250	4.4 6.3 7.6	1.22 1.75 2.11	82.0 80.0 74.0	7.5	2950	25.4	2.3	110
SLS40-250A	4.1 5.9 7.0	1.14 1.64 1.94	72.0 70.0 65.0	5.5	2950	25.0	2.3	89
SLS40-250B	3.8 5.5 6.7	1.07 1.53 1.86	61.5 60.0 56.0	4	2950	25.0	2.3	87
SLS50-100	8.8 12.5 15.0	2.44 3.47 4.17	13.6 12.5 11.3	1.1	2950	66.2	2.3	38
SLS50-100A	8.0 11.0 13.2	2.22 3.05 3.67	11.0 10.0 9.0	0.75	2950	66.0	2.3	37
SLS50-125	8.8 12.5 15.0	2.44 3.47 4.17	21.5 20.0 17.8	1.5	2950	62.1	2.3	41
SLS50-125A	8.0 11.0 13.2	2.22 3.05 3.66	17.0 16.0 14.0	1.1	2950	61.0	2.3	37
SLS50-160	8.8 12.5 15.0	2.43 3.47 4.17	33.0 32.0 30.0	3	2950	56.0	2.3	52
SLS50-160A	8.2 11.7 14.0	2.28 3.25 3.89	29.0 28.0 26.0	2.2	2950	55.0	2.3	44
SLS50-160B	7.3 10.4 12.5	2.03 2.89 3.47	23.0 22.0 20.0	1.5	2950	55.0	2.3	44
SLS50-200	8.8 12.5 15.0	2.43 3.47 4.17	52.0 50.0 48.0	5.5	2950	49.5	2.3	86
SLS50-200A	8.3 11.7 14.0	2.31 3.25 3.89	45.8 44.0 42.0	4	2950	49.0	2.3	63
SLS50-200B	7.3 10.4 12.5	2.02 2.89 3.47	37.0 36.0 34.0	3	2950	48.0	2.3	56
SLS50-250	8.8 12.5 15.0	2.44 3.47 4.17	82.0 80.0 77.0	11	2950	40.5	2.3	150
SLS50-250A	8.2 11.6 14.0	2.28 3.22 3.90	71.5 70.0 68.0	7.5	2950	40.0	2.3	149
SLS50-250B	7.6 10.8 13.0	2.10 3.00 3.61	61.4 60.0 58.0	7.5	2950	40.0	2.3	114
SLS65-100	17.5 25.0 30.0	4.86 6.94 8.33	13.7 12.5 10.5	1.5	2950	65.5	2.5	57
SLS65-100A	15.6 22.3 27.0	4.30 6.19 7.50	11.0 10.0 8.4	1.1	2950	65.0	2.5	53

SLS型泵性能参数 SLS type pump performance data

型号 Type	流量 Capacity		扬程 Head (m)	电机 功率 Power (kW)	转速 Speed (r/min)	效率 Eff. η (%)	必需汽 蚀余量 (NPSH) _r (m)	重量 Weight (Kg)
	(m³/h)	(L/s)						
SLS65-125	17.5 25.0 30.0	4.86 6.94 8.33	21.5 20.0 18.0	3	2950	71.4	2.5	60
SLS65-125A	15.6 22.3 27.0	4.30 6.19 7.50	17.0 16.0 14.4	2.2	2950	65.0	2.5	53
SLS65-160	17.5 25.0 30.0	4.86 6.94 8.33	34.3 32.0 27.5	4	2950	66.7	2.5	67
SLS65-160A	16.4 23.4 28.0	4.56 6.50 7.78	30.0 28.0 24.0	4	2950	66.0	2.5	67
SLS65-160B	15.0 21.6 26.0	4.17 6.00 7.22	26.0 24.0 20.6	3	2950	65.0	2.5	65
SLS65-200	17.5 25.0 30.0	4.86 6.94 8.33	52.7 50.0 45.5	7.5	2950	59.0	2.5	100
SLS65-200A	16.4 23.4 28.0	4.55 6.50 7.78	46.4 44.0 40.0	7.5	2950	59.0	2.5	98
SLS65-200B	15.2 21.8 26.2	4.22 6.06 7.27	40.0 38.0 34.5	5.5	2950	59.0	2.5	92
SLS65-250	17.5 25.0 30.0	4.86 6.94 8.33	82.0 80.0 76.5	15	2950	52.0	2.5	162
SLS65-250A	16.4 23.4 28.0	4.56 6.60 7.78	71.4 70.0 67.0	11	2950	52.0	2.5	161
SLS65-250B	15.0 21.6 26.0	4.17 6.00 7.22	61.5 60.0 57.4	11	2950	52.0	2.5	142
SLS65-315	17.5 25.0 30.0	4.96 6.94 8.33	129.0 125.0 118.0	30	2950	44.0	2.5	300
SLS65-315A	15.4 23.4 28.0	4.56 6.60 7.78	117.0 113.0 108.0	22	2950	44.0	2.5	300
SLS65-315B	15.0 21.6 26.0	4.17 6.00 7.22	105.0 101.0 94.0	18.5	2950	44.0	2.5	238
SLS80-100	35.0 50.0 60.0	9.73 13.90 16.70	13.8 12.5 10.0	3	2950	73.0	3.0	63
SLS80-100A	31.3 44.7 53.6	8.70 12.42 14.90	11.0 10.0 8.0	2.2	2950	73.0	3.0	56
SLS80-125	35.0 50.0 60.0	9.72 13.90 16.67	22.0 20.0 17.0	5.5	2950	76.9	3.0	97
SLS80-125A	31.3 45.0 54.0	8.69 12.50 15.00	17.5 16.0 13.6	4	2950	76.4	3.0	78
SLS80-160	35.0 50.0 60.0	9.73 13.90 16.70	35.0 32.0 28.0	7.5	2950	75.4	3.0	95
SLS80-160A	32.7 46.7 56.0	9.08 12.97 15.57	29.4 28.0 25.2	7.5	2950	75.0	3.0	90
SLS80-160B	30.3 43.3 52.0	8.40 12.00 14.44	26.0 24.0 21.0	5.5	2950	75.0	3.0	84
SLS80-200	35.0 50.0 60.0	9.73 13.90 16.67	53.5 50.0 45.0	15	2950	71.4	3.0	152

型号 Type	流量 Capacity		扬程 Head (m)	电机 功率 Power (kW)	转速 Speed (r/min)	效率 Eff. η (%)	必需汽 蚀余量 (NPSH) _r (m)	重量 Weight (Kg)
	(m³/h)	(L/s)						
SLS80-200A	32.8 47.0 56.4	9.10 13.10 15.70	47.0 44.0 40.0	11	2950	70.0	3.0	140
SLS80-200B	30.5 43.5 52.0	8.50 12.10 14.40	40.6 38.0 33.4	7.5	2950	70.0	3.0	139
SLS80-250	35.0 50.0 60.0	9.73 13.90 16.70	83.0 80.0 72.0	22	2950	63.0	3.0	220
SLS80-250A	32.7 46.7 56.0	9.00 13.00 15.60	73.0 70.0 63.0	18.5	2950	63.0	3.0	175
SLS80-250B	30.0 43.3 52.0	8.30 12.00 14.40	62.0 60.0 54.0	15	2950	63.0	3.0	163
SLS80-315	35.0 50.0 60.0	9.72 13.90 16.70	129.0 125.0 118.0	37	2950	57.0	3.0	388
SLS80-315A	32.5 46.7 56.0	9.00 13.00 15.60	117.0 113.0 106.0	30	2950	57.0	3.0	346
SLS80-315B	30.0 43.3 52.0	8.30 12.00 14.40	105.0 101.0 94.0	30	2950	57.0	3.0	312
SLS80-315C	28.0 40.0 48.0	7.77 11.10 13.30	88.0 85.0 78.0	22	2950	57.0	3.0	311
SLS80-350	35.0 50.0 60.0	9.72 13.90 16.70	156.0 150.0 140.0	55	2950	54.0	3.0	390
SLS80-350A	30.8 44.0 52.8	8.56 12.20 14.70	148.0 142.0 135.0	45	2950	52.8	3.0	268
SLS80-350B	28.0 40.0 46.0	7.78 11.10 12.80	132.0 125.0 128.0	37	2950	52.0	3.0	229
SLS100-100	70.0 100.0 120.0	19.40 27.80 33.30	13.6 12.5 11.0	5.5	2950	78.0	4.5	102
SLS100-100A	62.6 89.0 107.0	17.40 24.70 29.70	11.0 10.0 8.8	4	2950	78.0	4.5	80
SLS100-125	70.0 100.0 120.0	19.40 27.80 33.30	23.5 20.0 14.0	11	2950	80.0	4.5	158
SLS100-125A	52.6 89.0 107.0	17.40 24.70 29.70	19.0 16.0 11.0	7.5	2950	79.0	4.5	120
SLS100-160	70.0 100.0 120.0	19.40 27.80 33.30	36.5 32.0 24.0	15	2950	79.0	4.5	160
SLS100-160A	65.4 93.5 112.0	18.20 26.00 31.10	32.0 28.0 21.0	11	2950	79.0	4.5	150
SLS100-160B	60.6 86.6 104.0	16.80 24.10 28.90	27.0 24.0 18.0	11	2950	79.0	4.5	150
SLS100-200	70.0 100.0 120.0	19.40 27.80 33.30	54.0 50.0 42.0	22	2950	79.0	4.0	220
SLS100-200A	65.4 93.5 112.0	18.20 26.00 31.10	47.5 44.0 37.0	18.5	2950	79.0	4.0	175
SLS100-200B	61.0 87.0 104.0	16.90 24.20 28.90	41.0 38.0 32.0	15	2950	79.0	4.0	162

SLS型泵性能参数 SLS type pump performance data

型号 Type	流量 Capacity		扬程 Head (m)	电机 功率 Power (kW)	转速 Speed (r/min)	效率 Eff. η (%)	必需汽 蚀余量 (NPSH) _r (m)	重量 Weight (Kg)
	(m³/h)	(L/s)						
SLS100-250	70.0 100.0 120.0	19.40 27.60 33.30	87.0 80.0 68.0	37	2950	75.0	4.0	296
SLS100-250A	65.4 93.5 112.0	18.20 26.00 31.10	76.0 70.0 59.0	30	2950	75.0	4.0	280
SLS100-250B	61.0 87.0 104.0	16.90 24.20 28.90	65.0 60.0 50.0	30	2950	75.0	4.0	279
SLS100-315	70.0 100.0 120.0	19.40 27.80 33.30	129.0 125.0 118.0	75	2950	69.0	4.0	586
SLS100-315A	66.0 95.0 114.0	18.30 26.40 31.70	117.0 113.0 106.0	55	2950	69.0	4.0	483
SLS100-315B	63.0 90.0 108.0	17.50 25.00 30.00	105.0 101.0 94.0	45	2950	69.0	4.0	480
SLS100-315C	58.0 82.0 98.5	16.10 22.80 27.30	88.0 85.0 78.0	37	2950	69.0	4.0	368
SLS100-350	70.0 100.0 130.0	19.40 27.80 36.10	156.0 150.0 138.0	90	2950	64.2	4.0	656
SLS100-350A	64.0 88.0 113.0	17.80 24.40 31.40	148.0 142.0 134.0	75	2950	63.3	4.0	595
SLS100-350B	56.0 80.0 104.0	15.60 22.20 28.90	140.0 135.0 125.0	75	2950	62.6	4.0	597
SLS125-100	96.0 160.0 192.0	26.70 44.40 53.30	13.0 12.5 12.0	11	2950	75.0	5.5	125
SLS125-100A	86.0 143.0 172.0	23.90 39.70 47.80	10.4 10.0 9.6	7.5	2950	75.0	5.5	124
SLS125-125	96.0 160.0 192.0	26.70 44.40 53.30	22.6 20.0 17.0	15	2950	81.0	5.5	176
SLS125-125A	86.0 143.0 172.0	23.90 39.70 47.80	18.0 16.0 13.6	11	2950	79.0	5.5	167
SLS125-160	96.0 160.0 192.0	26.70 44.40 53.30	36.0 32.0 28.0	22	2950	82.0	5.5	228
SLS125-160A	90.0 150.0 180.0	25.00 41.70 50.00	31.5 28.0 24.5	18.5	2950	81.0	5.5	190
SLS125-160B	83.0 138.0 166.0	21.70 38.30 46.10	27.5 24.0 21.0	15	2950	81.0	5.5	176
SLS125-200	96.0 160.0 192.0	26.70 44.40 53.30	55.0 50.0 46.0	37	2950	82.0	5.5	314
SLS125-200A	90.0 150.0 180.0	25.00 41.70 50.00	48.4 44.0 40.5	30	2950	81.0	5.5	304
SLS125-200B	83.0 138.0 166.0	21.70 38.30 46.10	41.3 37.5 34.5	22	2950	81.0	5.5	242
SLS125-250	96.0 160.0 192.0	26.70 44.40 53.30	87.0 80.0 73.0	55	2950	80.0	5.0	524
SLS125-250A	90.0 150.0 180.0	25.00 41.70 50.00	74.0 70.0 64.0	45	2950	80.0	5.0	400

型号 Type	流量 Capacity		扬程 Head (m)	电机 功率 Power (kW)	转速 Speed (r/min)	效率 Eff. η (%)	必需汽 蚀余量 (NPSH) _r (m)	重量 Weight (Kg)
	(m³/h)	(L/s)						
SLS125-250B	83.0 138.0 165.6	21.70 38.30 46.10	65.0 60.0 55.0	37	2950	80.0	5.0	361
SLS125-315	96.0 160.0 192.0	26.70 44.40 53.30	129.0 125.0 118.0	90	2950	76.0	5.0	624
SLS125-315A	90.0 150.0 180.0	25.00 41.70 50.00	115.0 110.0 105.0	75	2950	76.0	5.0	591
SLS125-315B	86.0 143.0 172.0	23.90 39.70 47.80	105.0 100.0 94.0	75	2950	76.0	5.0	590
SLS150-200	140.0 200.0 240.0	38.90 55.60 66.70	13.8 12.5 10.6	15	1480	82.0	3.0	284
SLS150-200A	125.0 179.0 215.0	34.70 49.70 59.70	11.0 10.0 8.5	11	1480	82.0	3.0	273
SLS150-200B	112.0 160.0 192.0	31.11 44.44 53.33	9.2 8.0 6.8	7.5	1480	81.0	3.0	226
SLS150-250	140.0 200.0 240.0	38.90 55.60 66.70	21.8 20.0 17.0	18.5	1480	82.8	3.0	282
SLS150-250A	129.0 184.0 221.0	35.60 51.10 61.40	18.5 17.0 14.4	15	1480	81.8	3.0	260
SLS150-250B	117.0 167.0 200.0	32.50 46.40 55.60	15.2 14.0 12.0	11	1480	81.0	3.0	222
SLS150-315	140.0 200.0 260.0	38.90 55.60 72.20	33.8 32.0 28.0	30	1480	81.7	3.5	430
SLS150-315A	131.0 187.0 225.0	36.40 51.90 62.50	29.5 28.0 24.5	22	1480	81.7	3.5	352
SLS150-315B	121.1 173.0 207.6	33.64 48.06 57.67	25.8 24.0 20.7	18.5	1480	81.7	3.5	340
SLS150-400	140.0 200.0 240.0	38.90 55.60 66.70	53.0 50.0 44.0	45	1480	77.0	3.5	461
SLS150-400A	131.0 187.0 225.0	36.40 51.90 62.50	46.6 44.0 38.3	37	1480	77.0	3.5	429
SLS150-400B	122.0 174.0 209.0	33.90 48.30 58.10	40.0 38.0 33.0	30	1480	77.0	3.5	404
SLS150-400C	112.0 160.0 200.0	31.10 44.40 55.50	34.0 32.0 28.0	22	1480	77.0	3.5	344
SLS150-500	140.0 200.0 240.0	38.90 55.60 66.70	85.0 80.0 75.0	75	1480	71.3	4.0	890
SLS150-500A	131.0 187.0 224.0	36.40 51.90 62.30	74.0 70.0 65.0	75	1480	71.0	4.0	890
SLS150-500B	121.0 173.0 208.0	33.60 48.10 57.70	64.0 60.0 55.5	55	1480	71.0	4.0	840
SLS200-200G	210.0 300.0 360.0	58.30 83.30 100.00	13.4 12.5 10.5	18.5	1480	83.5	4.0	326
SLS200-200GA	196.0 280.0 336.0	54.40 77.80 93.30	10.3 10.0 8.5	15	1480	82.0	4.0	294

SLS型泵性能参数 SLS type pump performance data

型号 Type	流量 Capacity		扬程 Head (m)	电机 功率 Power (kW)	转速 Speed (r/min)	效率 Eff. η (%)	必需汽 蚀余量 (NPSH) _r (m)	重量 Weight (Kg)
	(m³/h)	(L/s)						
SLS200-250G	210.0 300.0 360.0	58.30 83.30 100.00	22.2 20.0 14.0	22	1480	84.0	4.0	385
SLS200-250GA	196.0 280.0 336.0	54.40 77.80 93.30	18.0 16.0 11.2	18.5	1480	83.8	4.0	368
SLS200-250GB	182.0 262.0 312.0	50.60 72.80 86.70	14.6 13.0 9.0	15	1480	83.5	4.0	336
SLS200-315G	210.0 300.0 360.0	58.30 83.30 99.96	36.0 32.0 26.0	45	1480	83.8	4.0	500
SLS200-315GA	196.0 280.0 336.0	54.40 77.80 93.30	31.5 28.0 23.0	37	1480	83.8	4.0	470
SLS200-315GB	182.0 262.0 312.0	50.60 72.70 86.70	27.0 24.0 19.5	30	1480	83.0	4.0	393
SLS200-400G	210.0 300.0 360.0	58.30 83.30 100.00	54.5 50.0 39.0	75	1480	81.6	4.0	658
SLS200-400GA	196.0 280.0 336.0	54.40 77.80 93.30	48.0 44.0 34.0	55	1480	81.3	4.0	610
SLS200-400GB	182.0 260.0 312.0	50.60 72.20 86.70	41.4 38.0 29.6	45	1480	82.0	4.0	540
SLS200-400GC	171.0 245.0 294.0	47.50 68.10 81.70	34.9 32.0 25.0	37	1480	80.5	4.0	505
SLS200-500G	210.0 300.0 360.0	58.30 83.30 100.00	85.0 80.0 73.0	110	1480	76.0	4.5	1240
SLS200-500GA	196.0 280.0 336.0	54.40 77.80 93.30	74.0 70.0 64.0	90	1480	76.0	4.5	848
SLS200-500GB	182.0 262.0 312.0	50.60 72.80 86.70	64.0 60.0 54.0	75	1480	76.0	4.5	756
SLS200-500GC	171.0 245.0 294.0	47.50 68.10 81.70	56.0 52.0 48.0	55	1480	76.6	4.5	700
SLS200-200(I)	280.0 400.0 480.0	77.80 111.10 133.30	13.4 12.5 10.5	22	1480	82.0	4.0	338
SLS200-200(I)A	250.6 358.0 429.6	69.40 99.40 119.40	10.3 10.0 8.5	18.5	1480	81.0	4.0	322
SLS200-250(I)	280.0 400.0 480.0	77.80 111.10 133.30	22.2 20.0 14.0	30	1480	84.0	4.0	420
SLS200-250(I)A	250.0 358.0 430.0	69.40 99.40 119.40	18.0 16.0 11.2	22	1480	83.5	4.0	358
SLS200-250(I)B	226.0 322.0 386.0	62.80 89.40 107.20	14.6 13.0 9.0	18.5	1480	82.3	4.0	342
SLS200-315(I)	280.0 400.0 480.0	77.80 111.10 133.30	36.0 32.0 26.0	55	1480	83.9	4.0	610
SLS200-315(I)A	262.0 374.0 449.0	72.80 103.90 124.70	31.5 28.0 23.0	45	1480	83.6	4.0	495
SLS200-315(I)B	242.0 346.0 415.0	67.20 96.10 115.30	27.0 24.0 19.5	37	1480	83.4	4.0	490

型号 Type	流量 Capacity		扬程 Head (m)	电机 功率 Power (kW)	转速 Speed (r/min)	效率 Eff. η (%)	必需汽 蚀余量 (NPSH) _r (m)	重量 Weight (Kg)
	(m³/h)	(L/s)						
SLS200-400(I)	280.0 400.0 480.0	77.80 111.10 133.30	54.5 50.0 39.0	75	1480	82.6	4.0	796
SLS200-400(I)A	262.0 374.0 449.0	72.80 103.90 124.70	48.0 44.0 34.0	75	1480	82.8	4.0	700
SLS200-400(I)B	242.0 346.0 415.0	67.20 96.10 115.30	41.4 38.0 29.6	55	1480	83.0	4.0	678
SLS200-400(I)C	224.0 320.0 384.0	62.20 88.90 106.70	34.9 32.0 25.0	45	1480	83.2	4.0	582
SLS200-500(I)	280.0 400.0 480.0	77.80 111.10 133.30	85.0 80.0 73.0	132	1480	78.5	4.5	1342
SLS200-500(I)A	262.0 374.0 449.0	72.80 103.90 124.70	74.0 70.0 64.0	110	1480	78.0	4.5	1241
SLS200-500(I)B	242.0 346.0 415.0	67.20 96.10 115.30	64.0 60.0 54.0	90	1480	78.0	4.5	848
SLS200-500(I)C	224.0 320.0 416.0	62.20 88.90 115.00	53.2 50.0 43.8	75	1480	79.6	4.5	830
SLS250-235	350.0 500.0 600.0	97.22 138.89 166.67	14.0 12.5 10.0	30	1480	80.6	5.5	525
SLS250-300	350.0 500.0 600.0	97.22 138.89 166.67	22.0 20.0 17.5	37	1480	83.6	5.5	590
SLS250-315	400.0 550.0 660.0	111.10 152.80 183.80	34.5 32.0 26.0	75	1480	85.0	5.5	1100
SLS250-315A	364.0 500.0 550.0	101.10 138.90 152.80	31.5 28.0 23.0	55	1480	84.7	5.5	692
SLS250-315B	350.0 500.0 550.0	97.20 138.90 152.80	26.2 25.0 22.5	45	1480	84.7	5.5	595
SLS250-400	400.0 550.0 660.0	111.10 152.80 183.30	54.0 50.0 40.0	110	1480	84.1	5.5	954
SLS250-400A	365.0 500.0 600.0	101.40 138.90 166.70	47.0 44.0 35.0	90	1480	84.0	5.5	954
SLS250-400B	336.0 460.0 552.0	93.30 127.80 153.30	40.0 37.0 30.0	75	1480	83.0	5.5	885
SLS250-500	400.0 550.0 660.0	111.10 152.80 183.30	85.0 80.0 73.0	200	1480	81.6	4.5	1342
SLS250-500A	375.0 515.0 620.0	104.20 143.00 172.20	74.0 70.0 61.2	160	1480	81.0	4.5	1280
SLS250-500B	350.0 480.0 580.0	97.20 133.30 161.10	64.0 60.0 52.5	132	1480	81.0	4.5	1181
SLS300-250	500.0 720.0 860.0	138.90 200.00 239.00	23.0 20.0 16.0	55	1480	84.2	6.0	

SLS型泵性能参数 SLS type pump performance data

型号 Type	流量 Capacity		扬程 Head (m)	电机 功率 Power (kW)	转速 Speed (r/min)	效率 Eff. η (%)	必需汽 蚀余量 (NPSH) _r (m)	重量 Weight (Kg)
	(m³/h)	(L/s)						
SLS300-300A	450.0 600.0 720.0	125.00 166.00 200.00	27.5 24.0 20.0	55	1480	84.2	5.0	950
SLS300-300B	420.0 540.0 650.0	116.70 150.00 181.00	24.0 21.0 17.0	45	1480	83.8	5.0	781
SLS300-315	500.0 720.0 860.0	138.90 200.00 239.00	35.0 32.0 27.0	90	1480	85.5	6.0	1038
SLS300-315A	460.0 660.0 790.0	127.80 183.30 219.40	30.0 28.0 23.0	75	1480	85.5	6.0	940
SLS300-315B	420.0 600.0 720.0	116.70 166.70 200.00	25.0 24.0 20.0	55	1480	85.2	6.0	820
SLS300-400	450.0 600.0 720.0	125.00 166.00 200.00	55.0 50.0 42.5	110	1480	84.1	5.0	1334
SLS300-400A	420.0 540.0 650.0	116.70 150.00 181.00	45.0 40.0 35.0	90	1480	83.9	5.0	1255
SLS300-450	500.0 720.0 860.0	138.90 200.00 239.00	54.0 50.0 42.0	132	1480	85.8	6.0	1700
SLS300-450A	460.0 660.0 790.0	127.80 183.30 219.40	47.0 44.0 36.0	110	1480	85.5	6.0	1600
SLS300-450B	420.0 600.0 720.0	116.70 166.70 200.00	41.0 38.0 32.0	90	1480	85.2	6.0	1250
SLS300-450C	390.0 560.0 670.0	108.30 155.60 186.10	35.0 32.0 27.0	75	1480	85.0	6.0	1150
SLS300-500	500.0 720.0 860.0	138.90 200.00 239.00	86.0 80.0 69.0	250	1480	83.8	6.5	1685
SLS300-500A	465.0 670.0 800.0	129.20 186.10 222.20	75.0 70.0 60.4	200	1480	84.2	6.5	1565
SLS300-500B	430.0 620.0 740.0	119.40 172.20 205.60	64.5 60.0 51.8	160	1480	84.5	6.5	1472
SLS300-500C	425.0 570.0 710.0	118.00 158.30 197.20	53.2 50.0 43.8	110	1480	83.7	5.5	1345
SLS350-235	560.0 800.0 960.0	155.56 222.22 266.67	14.0 12.5 10.5	37	1480	85.0	4.5	732
SLS350-300	560.0 800.0 960.0	155.56 222.22 266.67	22.5 20.0 17.5	75	1480	83.0	4.5	942
SLS350-315	560.0 800.0 960.0	155.56 222.22 266.67	35.5 32.0 28.5	90	1480	85.0	4.5	1002
SLS350-400	560.0 800.0 960.0	155.56 222.22 266.67	55.0 50.0 45.5	160	1480	85.0	4.5	1950
SLS350-315G	672.0 960.0 1152.0	187.00 267.00 320.40	35.0 32.0 26.0	132	1480	86.5	8.0	1750
SLS350-315GA	602.0 860.0 1032.0	167.00 239.00 287.00	30.0 28.0 23.0	110	1480	86.0	8.0	1600

型号 Type	流量 Capacity		扬程 Head (m)	电机 功率 Power (kW)	转速 Speed (r/min)	效率 Eff. η (%)	必需汽 蚀余量 (NPSH) _r (m)	重量 Weight (Kg)
	(m³/h)	(L/s)						
SLS350-315GB	574.0 820.0 984.0	159.00 228.00 273.00	26.0 24.0 19.0	90	1480	85.1	8.0	1250
SLS350-400G	672.0 960.0 1152.0	187.00 267.00 320.00	53.0 50.0 44.0	200	1480	86.5	8.0	2000
SLS350-400GA	602.0 860.0 1032.0	167.00 239.00 287.00	46.6 44.0 38.0	160	1480	86.2	8.0	1850
SLS350-400GB	574.0 820.0 984.0	159.00 228.00 273.00	40.3 38.0 32.7	132	1480	86.1	8.0	1770
SLS350-315(I)	900.0 1200.0 1400.0	250.00 333.30 399.96	35.0 32.0 26.0	160	1480	86.3	9.0	1800
SLS350-315(I)A	820.0 1100.0 1300.0	227.80 305.60 361.10	30.0 28.0 23.0	132	1480	85.7	9.0	1750
SLS350-315(I)B	750.0 1000.0 1200.0	208.30 277.80 333.30	26.0 24.0 19.0	110	1480	84.9	9.0	1600
SLS350-400(I)	900.0 1200.0 1400.0	250.00 333.30 399.96	53.0 50.0 44.0	250	1480	87.1	9.0	2500
SLS350-400(I)A	850.0 1100.0 1320.0	236.10 313.90 366.70	46.6 44.0 38.0	200	1480	86.9	9.0	2450
SLS350-400(I)B	790.0 1050.0 1225.0	219.40 291.70 340.30	40.3 38.0 32.7	160	1480	86.8	9.0	2350
SLS350-450G	672.0 960.0 1152.0	187.00 267.00 320.00	22.0 20.0 16.0	75	980	86.5	6.0	1250
SLS350-450GA	574.0 820.0 984.0	159.00 228.00 273.00	19.0 17.0 14.0	55	980	86.1	6.0	950
SLS350-525G	672.0 960.0 1152.0	187.00 267.00 320.00	35.0 32.0 26.0	132	980	86.5	6.0	1850
SLS350-525GA	602.0 860.0 1032.0	167.00 239.00 287.00	30.0 28.0 23.0	110	980	86.2	6.0	1700
SLS350-525GB	574.0 820.0 984.0	159.00 228.00 273.00	26.0 24.0 19.0	90	980	86.1	6.0	1550
SLS350-620G	672.0 960.0 1152.0	187.00 267.00 320.00	53.0 50.0 44.0	200	980	85.4	7.0	2800
SLS350-620GA	602.0 860.0 1032.0	167.00 239.00 287.00	46.6 44.0 38.0	160	980	85.3	6.5	2700
SLS350-620GB	574.0 820.0 984.0	159.00 228.00 273.00	40.3 38.0 32.7	132	980	85.3	6.5	2200
SLS350-450	900.0 1200.0 1400.0	250.00 333.30 399.96	22.0 20.0 16.0	90	980	86.8	6.0	2190
SLS350-450A	820.0 1100.0 1300.0	227.80 305.60 361.10	19.0 17.0 14.0	75	980	86.0	6.0	1950
SLS350-525	900.0 1200.0 1400.0	250.00 333.30 399.96	35.0 32.0 26.0	160	980	87.1	6.0	2800

SLS型泵性能参数 SLS type pump performance data

型号 Type	流量 Capacity		扬程 Head (m)	电机 功率 Power (kW)	转速 Speed (r/min)	效率 Eff. η (%)	必需汽 蚀余量 (NPSH) _r (m)	重量 Weight (Kg)
	(m³/h)	(L/s)						
SLS350-525A	820.0 1100.0 1300.0	227.80 305.50 361.10	30.0 28.0 23.0	132	980	86.9	6.0	2200
SLS350-525B	750.0 1000.0 1200.0	208.30 277.80 333.30	26.0 24.0 19.0	110	980	86.7	6.0	2140
SLS350-600	900.0 1200.0 1400.0	250.00 333.30 399.96	53.0 50.0 44.0	250	980	86.6	7.0	2950
SLS350-600A	850.0 1130.0 1320.0	236.10 313.90 366.70	46.8 44.0 38.0	200	980	86.6	6.5	2800
SLS350-600B	790.0 1050.0 1225.0	219.40 291.70 340.30	40.3 38.0 32.7	160	980	86.6	6.5	2700
SLSD40-160	2.2 3.2 3.9	0.61 0.89 1.10	8.5 8.0 7.5	0.25	1450	34.7	2.5	44
SLSD40-200	2.2 3.2 3.9	0.61 0.89 1.10	13.0 12.5 12.0	0.55	1450	26.0	2.5	53
SLSD40-250	2.2 3.2 3.9	0.61 0.89 1.10	20.5 20.0 18.5	1.1	1450	30.0	2.5	76
SLSD40-250A	2.0 2.8 3.4	0.56 0.78 0.94	16.4 16.0 15.0	0.75	1450	29.0	2.5	67
SLSD40-250B	1.6 2.3 2.8	0.44 0.64 0.78	13.2 13.0 12.0	0.55	1450	28.0	2.5	57
SLSD50-125	3.8 6.3 7.5	1.06 1.75 2.08	5.4 5.0 4.6	0.25	1450	55.0	2.5	43
SLSD50-160	3.8 6.3 7.5	1.06 1.75 2.08	8.5 8.0 7.5	0.55	1450	48.1	2.5	52
SLSD50-200	3.8 6.3 7.5	1.06 1.75 2.08	13.1 12.5 12.0	0.75	1450	41.6	2.5	62
SLSD50-250	3.8 6.3 7.5	1.06 1.75 2.08	20.5 20.0 19.5	1.5	1450	34.6	2.5	86
SLSD50-250A	3.4 5.6 6.7	0.94 1.56 1.86	16.4 16.0 15.6	1.1	1450	34.0	2.5	76
SLSD50-250B	3.1 5.1 6.1	0.86 1.42 1.69	13.2 13.0 12.5	0.75	1450	34.0	2.5	67
SLSD65-125	7.5 12.5 15.0	2.08 3.47 4.17	5.4 5.0 4.7	0.37	1450	64.0	2.8	52
SLSD65-160	7.5 12.5 15.0	2.08 3.47 4.17	8.8 8.0 7.2	0.55	1450	60.0	2.8	62

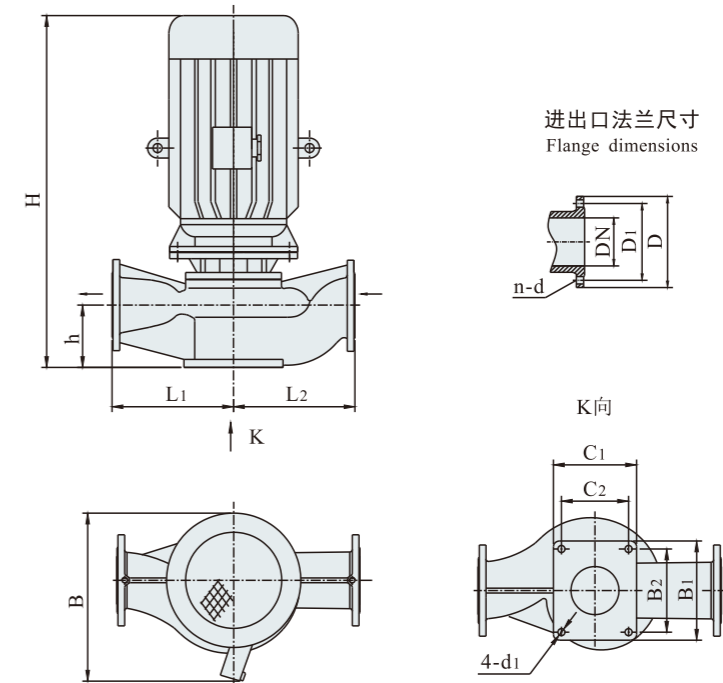
型号 Type	流量 Capacity		扬程 Head (m)	电机 功率 Power (kW)	转速 Speed (r/min)	效率 Eff. η (%)	必需汽 蚀余量 (NPSH) _r (m)	重量 Weight (Kg)
	(m³/h)	(L/s)						
SLSD65-200	7.5 12.5 15.0	2.08 3.47 4.17	13.2 12.5 11.8	1.1	1450	54.0	2.8	69
SLSD65-200A	6.8 11.3 13.5	1.89 3.14 3.75	10.7 10.1 9.6	0.75	1450	54.0	2.8	62
SLSD65-250	7.5 12.5 15.0	2.08 3.47 4.17	21.0 20.0 19.4	2.2	1450	47.0	2.8	100
SLSD65-250A	7.0 11.7 14.1	1.94 3.25 3.92	18.4 17.6 17.0	1.5	1450	47.0	2.8	90
SLSD65-250B	6.1 10.2 12.3	1.69 2.83 3.42	14.1 13.4 12.7	1.1	1450	47.0	2.8	81
SLSD65-315	7.5 12.5 15.0	2.08 3.47 4.17	32.3 32.0 31.7	4	1450	38.0	2.8	124
SLSD65-315A	7.0 11.7 14.0	1.94 3.25 3.92	26.1 28.0 27.6	3	1450	38.0	2.8	124
SLSD65-315B	6.1 10.1 12.1	1.69 2.81 3.36	21.2 21.0 20.8	3	1450	38.0	2.8	109
SLSD80-125	15.0 25.0 30.0	4.17 6.94 8.33	5.6 5.0 4.5	0.75	1450	70.9	2.8	67
SLSD80-160	15.0 25.0 30.0	4.17 6.94 8.33	9.0 8.0 7.2	1.1	1450	69.0	2.8	74
SLSD80-200	15.0 25.0 30.0	4.17 6.94 8.33	13.2 12.5 11.8	2.2	1450	65.0	2.8	93
SLSD80-200A	14.0 23.3 27.9	3.89 6.47 7.75	11.5 10.9 10.2	1.5	1450	65.0	2.8	84
SLSD80-250	15.0 25.0 30.0	4.17 6.94 8.33	21.0 20.0 18.8	3	1450	59.0	2.8	122
SLSD80-250A	13.8 22.2 26.6	6.39 6.17 7.39	16.6 15.8 14.8	2.2	1450	59.0	2.8	119
SLSD80-250B	11.9 19.8 23.8	3.31 5.50 6.61	13.5 12.6 11.8	1.5	1450	59.0	2.8	115
SLSD80-315	15.0 25.0 30.0	4.17 6.94 8.33	32.5 32.0 31.5	5.5	1450	52.6	2.8	185
SLSD80-315A	14.0 23.0 28.0	3.89 6.39 7.78	28.3 27.9 27.4	4	1450	52.0	2.8	182
SLSD80-315B	12.1 20.2 24.3	3.36 5.61 6.75	21.3 21.0 20.6	3	1450	52.0	2.8	162

SLSD型泵性能参数 SLSD type pump performance data

型号 Type	流量 Capacity		扬程 Head (m)	电机 功率 Power (kW)	转速 Speed (r/min)	效率 Eff. η (%)	必需汽 蚀余量 (NPSH) _r (m)	重量 Weight (Kg)
	(m³/h)	(L/s)						
SLSD100-125	30.0	8.33	6.0	1.1	1450	76.0	3.0	76
	50.0	13.89	5.0					
	60.0	16.67	4.0					
SLSD100-160	30.0	8.33	9.2	2.2	1450	77.0	3.0	83
	50.0	13.89	8.0					
	60.0	16.67	6.8					
SLSD100-160A	26.8	7.44	7.3	1.5	1450	76.0	3.0	76
	44.5	12.40	6.3					
	53.5	14.90	5.4					
SLSD100-200	35.0	9.72	13.5	3	1450	71.0	3.0	109
	50.0	13.89	12.5					
	60.0	16.67	11.8					
SLSD100-200A	26.8	7.44	10.7	2.2	1450	71.0	3.0	105
	44.6	12.40	9.9					
	53.5	14.90	9.4					
SLSD100-250	30.0	8.33	21.3	5.5	1450	71.0	3.0	166
	50.0	13.89	20.0					
	60.0	16.67	19.0					
SLSD100-250A	28.0	7.78	18.6	4	1450	71.0	3.0	143
	46.7	12.97	17.4					
	56.0	15.56	16.6					
SLSD100-250B	24.2	6.72	14.0	3	1450	71.0	3.0	128
	40.4	11.22	13.0					
	48.5	13.47	12.4					
SLSD100-315	30.0	8.33	34.0	11	1450	65.0	3.0	247
	50.0	13.89	32.0					
	60.0	16.67	30.0					
SLSD100-315A	28.0	7.78	29.6	7.5	1450	65.0	3.0	209
	46.7	12.97	27.9					
	56.0	15.56	26.1					
SLSD100-315B	24.2	6.72	22.3	5.5	1450	65.0	3.0	204
	40.4	11.22	21.0					
	48.5	13.47	19.1					
SLSD125-160	48.0	13.30	9.0	3	1450	77.0	3.0	133
	80.0	22.20	8.0					
	96.0	26.70	7.0					
SLSD125-200	48.0	13.30	13.8	5.5	1450	76.9	3.0	181
	80.0	22.20	12.5					
	96.0	26.70	11.5					
SLSD125-200A	45.0	12.50	12.1	4	1450	76.8	3.0	162
	75.0	20.80	11.0					
	90.0	25.00	10.1					
SLSD125-250	48.0	13.30	21.8	7.5	1450	74.4	2.8	220
	80.0	22.20	20.0					
	96.0	26.70	18.3					
SLSD125-250A	45.0	12.50	19.0	7.5	1450	74.8	2.8	215
	75.0	20.80	17.5					
	90.0	25.00	16.0					
SLSD125-250B	41.5	11.50	16.3	5.5	1450	75.1	2.8	205
	69.0	19.20	15.0					
	83.0	23.10	13.8					
SLSD125-315	48.0	13.30	33.3	15	1450	69.1	2.5	309
	80.0	22.20	32.0					
	96.0	26.70	29.8					

型号 Type	流量 Capacity		扬程 Head (m)	电机 功率 Power (kW)	转速 Speed (r/min)	效率 Eff. η (%)	必需汽 蚀余量 (NPSH) _r (m)	重量 Weight (Kg)
	(m³/h)	(L/s)						
SLSD125-315A	45.0	12.50	29.3	11	1450	70.2	2.5	290
	75.0	20.80	27.5					
	90.0	25.00	26.0					
SLSD125-315B	43.0	11.90	23.5	7.5	1450	70.8	2.5	285
	71.5	19.90	22.0					
	86.0	23.90	20.8					
SLSD125-125(I)	60.0	16.67	6.5	2.2	1450	78.0	3.0	100
	100.0	27.80	5.0					
	120.0	33.30	4.0					
SLSD125-160(I)	60.0	16.67	10.0	4	1450	80.0	3.0	120
	100.0	27.80	8.0					
	120.0	33.30	7.0					
SLSD125-160(I)A	52.0	14.50	7.3	3	1450	79.0	3.0	109
	87.0	24.20	6.3					
	104.0	28.90	5.4					
SLSD125-200(I)	60.0	16.67	14.0	5.5	1450	78.0	3.0	145
	100.0	27.80	12.5					
	120.0	33.30	11.0					
SLSD125-200(I)A	51.7	14.36	10.8	4	1450	78.0	3.0	120
	86.0	23.92	9.3					
	103.0	28.61	8.2					
SLSD125-250(I)	60.0	16.70	21.5	11	1450	78.0	3.0	212
	100.0	27.80	20.0					
	120.0	33.30	18.5					
SLSD125-250(I)A	56.0	15.60	18.7	7.5	1450	78.0	3.0	165
	93.0	25.80	17.4					
	112.0	31.10	16.0					
SLSD125-250(I)B	52.0	14.50	16.0	5.5	1450	78.0	3.0	155
	87.0	24.20	15.0					
	104.0	28.90	14.0					
SLSD125-315(I)	60.0	16.70	33.5	15	1450	74.0	3.0	228
	100.0	27.80	32.0					
	120.0	33.30	30.5					
SLSD125-315(I)A	55.0	15.30	28.0	11	1450	74.0	3.0	214
	91.0	25.30	27.0					
	110.0	30.60	25.7					
SLSD125-315(I)B	47.0	13.10	21.0	7.5	1450	74.0	3.0	165
	79.0	21.90	20.0					
	95.0	26.40	18.0					
SLSD125-400(I)	60.0	16.70	52.0	30	1450	69.0	3.0	375
	100.0	27.80	50.0					
	120.0	33.30	48.5					
SLSD125-400(I)A	56.4	15.70	46.0	22	1450	69.0	3.0	295
	94.0	26.10	44.0					
	113.0	31.40	43.0					
SLSD125-400(I)B	52.3	14.50	39.0	18.5	1450	69.0	3.0	247
	87.0	24.20	38.0					
	105.0	29.20	37.0					
SLSD125-400(I)C	48.6	13.50	34.0	15	1450	67.0	3.0	239
	81.0	22.60	32.8					
	97.0	26.90	32.0					

SLS(SLSD)型泵安装尺寸图 SLS(SLSD) type pump dimension figure



SLS型泵安装尺寸表 SLS type pump dimension table

型号 Type	外形尺寸 Figure dimensions					底脚尺寸 Foot dimensions			进出口法兰尺寸 Flange dimensions				
	L1	L2	B	H	h	DN	d1	B1×C1	B2×C2	DN	D	D1	n-d
15-80	90	90	133.5	333	40	G1/2	Φ12	90×65	70×45				
20-110	130	130	152.5	382	70	G3/4	Φ12	110×80	80×50				
20-125	150	150	237.5	425	70	G3/4	Φ12	130×90	100×60				
20-160	150	150	257.5	425	70	G3/4	Φ12	130×90	100×60				
25-110	130	130	152.5	382	70	Φ25	Φ12	110×80	80×50	Φ25	Φ115	Φ85	4-Φ14
25-125	130	130	212.5	427	70	Φ25	Φ12	110×80	80×50	Φ25	Φ115	Φ85	4-Φ14
25-125A	130	130	212.5	427	70	Φ25	Φ12	110×80	80×50	Φ25	Φ115	Φ85	4-Φ14
25-160	150	150	257.5	440	70	Φ25	Φ12	130×90	100×60	Φ25	Φ115	Φ85	4-Φ14
25-160A	150	150	237.5	430	70	Φ25	Φ12	130×90	100×60	Φ25	Φ115	Φ85	4-Φ14
32-100	130	130	152.5	397	80	Φ32	Φ12	130×90	100×60	Φ32	Φ140	Φ100	4-Φ19
32-125	130	130	237.5	440	80	Φ32	Φ12	130×90	100×60	Φ32	Φ140	Φ100	4-Φ19
32-125A	130	130	237.5	440	80	Φ32	Φ12	130×90	100×60	Φ32	Φ140	Φ100	4-Φ19
32-160	160	160	257.5	450	80	Φ32	Φ14	150×100	120×70	Φ32	Φ140	Φ100	4-Φ19
32-160A	160	160	237.5	440	80	Φ32	Φ14	150×100	120×70	Φ32	Φ140	Φ100	4-Φ19
32-200	170	170	287.5	531	90	Φ32	Φ14	160×110	130×80	Φ32	Φ140	Φ100	4-Φ19
32-200A	170	170	257.5	506	90	Φ32	Φ14	160×110	130×80	Φ32	Φ140	Φ100	4-Φ19
40-100	125	135	152.5	397	80	Φ40	Φ14	150×100	120×70	Φ40	Φ150	Φ110	4-Φ19
40-100A	125	135	152.5	397	80	Φ40	Φ14	150×100	120×70	Φ40	Φ150	Φ110	4-Φ19
40-125	135	145	237.5	447	85	Φ40	Φ14	150×100	120×70	Φ40	Φ150	Φ110	4-Φ19
40-125A	135	145	237.5	447	85	Φ40	Φ14	150×100	120×70	Φ40	Φ150	Φ110	4-Φ19
40-160	160	160	257.5	487	85	Φ40	Φ14	150×100	120×70	Φ40	Φ150	Φ110	4-Φ19
40-160A	160	160	257.5	457	85	Φ40	Φ14	150×100	120×70	Φ40	Φ150	Φ110	4-Φ19

SLS型泵安装尺寸表 SLS type pump dimension table

型号 Type	外形尺寸 Figure dimensions						底脚尺寸 Foot dimensions				进出口法兰尺寸 Flange dimensions			
	L1	L2	B	H	h	DN	d1	B1×C1	B2×C2	DN	D	D1	n-d	
40-160B	160	160	237.5	447	85	Φ40	Φ14	150×100	120×70	Φ40	Φ150	Φ110	4-Φ19	
40-200	170	170	310	558	95	Φ40	Φ14	170×120	130×80	Φ40	Φ150	Φ110	4-Φ19	
40-200A	170	170	310	558	95	Φ40	Φ14	170×120	130×80	Φ40	Φ150	Φ110	4-Φ19	
40-200B	170	170	287.5	538	95	Φ40	Φ14	170×120	130×80	Φ40	Φ150	Φ110	4-Φ19	
40-250	200	200	347.5	620	95	Φ40	Φ14	170×120	130×80	Φ40	Φ150	Φ110	4-Φ19	
40-250A	200	200	347.5	620	95	Φ40	Φ14	170×120	130×80	Φ40	Φ150	Φ110	4-Φ19	
40-250B	200	200	347.5	620	95	Φ40	Φ14	170×120	130×80	Φ40	Φ150	Φ110	4-Φ19	
50-100	140	150	237.5	460	95	Φ50	Φ14	150×100	120×70	Φ50	Φ165	Φ125	4-Φ19	
50-100A	140	150	237.5	460	95	Φ50	Φ14	150×100	120×70	Φ50	Φ165	Φ125	4-Φ19	
50-125	150	150	257.5	475	100	Φ50	Φ14	150×100	120×70	Φ50	Φ165	Φ125	4-Φ19	
50-125A	150	150	237.5	465	100	Φ50	Φ14	150×100	120×70	Φ50	Φ165	Φ125	4-Φ19	
50-160	160	160	287	545	100	Φ50	Φ14	160×110	130×80	Φ50	Φ165	Φ125	4-Φ19	
50-160A	160	160	257.5	510	100	Φ50	Φ14	160×110	130×80	Φ50	Φ165	Φ125	4-Φ19	
50-160B	160	160	257.5	510	100	Φ50	Φ14	160×110	130×80	Φ50	Φ165	Φ125	4-Φ19	
50-200	190	190	347.5	620	100	Φ50	Φ14	160×110	130×80	Φ50	Φ165	Φ125	4-Φ19	
50-200A	190	190	310	565	100	Φ50	Φ14	160×110	130×80	Φ50	Φ165	Φ125	4-Φ19	
50-200B	190	190	287.5	545	100	Φ50	Φ14	160×110	130×80	Φ50	Φ165	Φ125	4-Φ19	
50-250	220	220	432.5	732	100	Φ50	Φ18	200×140	160×100	Φ50	Φ165	Φ125	4-Φ19	
50-250A	220	220	432.5	732	100	Φ50	Φ18	200×140	160×100	Φ50	Φ165	Φ125	4-Φ19	
50-250B	220	220	347.5	632	100	Φ50	Φ18	200×140	160×100	Φ50	Φ165	Φ125	4-Φ19	
65-100	160	160	257.5	485	105	Φ65	Φ18	200×140	160×100	Φ65	Φ185	Φ145	4-Φ19	
65-100A	160	160	237.5	475	105	Φ65	Φ18	200×140	160×100	Φ65	Φ185	Φ145	4-Φ19	
65-125	170	175	287.5	545	105	Φ65	Φ18	200×140	160×100	Φ65	Φ185	Φ145	4-Φ19	
65-125A	170	175	257.5	520	105	Φ65	Φ18	200×140	160×100	Φ65	Φ185	Φ145	4-Φ19	
65-160	180	180	310	567	105	Φ65	Φ18	200×140	160×100	Φ65	Φ185	Φ145	4-Φ19	
65-160A	180	180	310	567	105	Φ65	Φ18	200×140	160×100	Φ65	Φ185	Φ145	4-Φ19	
65-160B	180	180	287.5	547	105	Φ65	Φ18	200×140	160×100	Φ65	Φ185	Φ145	4-Φ19	
65-200	190	190	347.5	635	110	Φ65	Φ18	200×140	160×100	Φ65	Φ185	Φ145	4-Φ19	
65-200A	190	190	347.5	635	110	Φ65	Φ18	200×140	160×100	Φ65	Φ185	Φ145	4-Φ19	
65-200B	190	190	347.5	635	110	Φ65	Φ18	200×140	160×100	Φ65	Φ185	Φ145	4-Φ19	
65-250	240	240	432.5	755	120	Φ65	Φ18	220×160	180×120	Φ65	Φ185	Φ145	4-Φ19	
65-250A	240	240	432.5	755	120	Φ65	Φ18	220×160	180×120	Φ65	Φ185	Φ145	4-Φ19	
65-250B	240	240	432.5	755	120	Φ65	Φ18	220×160	180×120	Φ65	Φ185	Φ145	4-Φ19	
65-315	275	275	525	935	130	Φ65	Φ18	220×160	180×120	Φ65	Φ185	Φ145	4-Φ19	
65-315A	275	275	525	935	130	Φ65	Φ18	220×160	180×120	Φ65	Φ185	Φ145	4-Φ19	
65-315B	275	275	475	830	130	Φ65	Φ18	220×160	180×120	Φ65	Φ185	Φ145	4-Φ19	
80-100	190	210	287.5	580	125	Φ80	Φ18	200×140	160×100	Φ80	Φ200	Φ160	8-Φ19	
80-100A	190	210	257.5	545	125	Φ80	Φ18	200×140	160×100	Φ80	Φ200	Φ160	8-Φ19	
80-125	200	200	347.5	650	130	Φ80	Φ18	200×140	160×100	Φ80	Φ200	Φ160	8-Φ19	
80-125A	200	200	310	605	130	Φ80	Φ18	200×140	160×100	Φ80	Φ200	Φ160	8-Φ19	
80-160	200	200	347.5	660	120	Φ80	Φ18	200×140	160×100	Φ80	Φ200	Φ160	8-Φ19	
80-160A	200	200	347.5	660	120	Φ80	Φ18	200×140	160×100	Φ80	Φ200	Φ160	8-Φ19	
80-160B	200	200	347.5	660	120	Φ80	Φ18	200×140	160×100	Φ80	Φ200	Φ160	8-Φ19	
80-200	215	215	432.5	765	125	Φ80	Φ18	200×140	160×100	Φ80	Φ200	Φ160	8-Φ19	
80-200A	215	215	432.5	765	125	Φ80	Φ18	200×140	160×100	Φ80	Φ200	Φ160	8-Φ19	
80-200B	215	215	432.5	765	125	Φ80	Φ18	200×140	160×100	Φ80	Φ200	Φ160	8-Φ19	
80-250	240	240	475	835	130	Φ80	Φ18	220×160	180×120	Φ80	Φ200	Φ160	8-Φ19	
80-250A	240	240	432.5	815	130	Φ80	Φ18	220×160	180×120	Φ80	Φ200	Φ160	8-Φ19	

SLS型泵安装尺寸表 SLS type pump dimension table

型号 Type	外形尺寸 Figure dimensions						底脚尺寸 Foot dimensions				进出口法兰尺寸 Flange dimensions			
	L1	L2	B	H	h	DN	d1	B1×C1	B2×C2	DN	D	D1	n-d	
80-250B	240	240	432.5	770	130	Φ80	Φ18	220×160	180×120	Φ80	Φ200	Φ160	8-Φ19	
80-315	290	290	582.5	1085	140	Φ80	Φ22	280×220	220×160	Φ80	Φ200	Φ160	8-Φ19	
80-315A	290	290	525	1030	140	Φ80	Φ22	280×220	220×160	Φ80	Φ200	Φ160	8-Φ19	
80-315B	290	290	525	1030	140	Φ80	Φ22	280×220	220×160	Φ80	Φ200	Φ160	8-Φ19	
80-315C	290	290	525	1030	140	Φ80	Φ22	280×220	220×160	Φ80	Φ200	Φ160	8-Φ19	
80-350	315	335	642.5	1210	165	Φ80	Φ22	280×200	220×160	Φ80	Φ200	Φ160	8-Φ19	
80-350A	315	335	582.5	1110	165	Φ80	Φ22	280×200	220×160	Φ80	Φ200	Φ160	8-Φ19	
80-350B	315	335	525	1005	165	Φ80	Φ22	280×200	220×160	Φ80	Φ200	Φ160	8-Φ19	
100-100	225	250	347.5	658	130	Φ100	Φ18	220×160	180×120	Φ100	Φ220	Φ180	8-Φ19	
100-100A	225	250	310	603	130	Φ100	Φ18	220×160	180×120	Φ100	Φ220	Φ180	8-Φ19	
100-125	215	235	432.5	793	140	Φ100	Φ18	220×160	180×120	Φ100	Φ220	Φ180	8-Φ19	
100-125A	215	235	437.5	693	140	Φ100	Φ18	220×160	180×120	Φ100	Φ220	Φ180	8-Φ19	
100-160	240	260	432.5	798	150	Φ100	Φ18	220×160	180×120	Φ100	Φ220	Φ180	8-Φ19	
100-160A	240	260	432.5	798	150	Φ100	Φ18	220×160	180×120	Φ100	Φ220	Φ180	8-Φ19	
100-160B	240	260	432.5	798	150	Φ100	Φ18	220×160	180×120	Φ100	Φ220	Φ180	8-Φ19	
100-200	240	240	475	906	135	Φ100	Φ18	220×160	180×120	Φ100	Φ220	Φ180	8-Φ19	
100-200A	240	240	432.5	826	135	Φ100	Φ18	220×160	180×120	Φ100	Φ220	Φ180	8-Φ19	
100-200B	240	240	432.5	781	135	Φ100	Φ18	220×160	180×120	Φ100	Φ220	Φ180	8-Φ19	
100-250	270	270	525	963	145	Φ100	Φ18	220×160	180×120	Φ100	Φ220	Φ180	8-Φ19	
100-250A	270	270	525	963	145	Φ100	Φ18	220×160	180×120	Φ100	Φ220	Φ180	8-Φ19	
100-250B	270	270	525	963	145	Φ100	Φ18	220×160	180×120	Φ100	Φ220	Φ180	8-Φ19	
100-315	315	315	700	1260	160	Φ100	Φ22	280×220	220×160	Φ100	Φ220	Φ180	8-Φ19	
100-315A	315	315	642.5	1211	160	Φ100	Φ22	280×220	220×160	Φ100	Φ220	Φ180	8-Φ19	
100-315B	315	315	542.5	1211	160	Φ100	Φ22	280×220	220×160	Φ100	Φ220	Φ180	8-Φ19	
100-315C	315	315	510	1120	160	Φ100	Φ22	280×220	220×160	Φ100	Φ220	Φ180	8-Φ19	
100-350	340	340	700	1375	180	Φ100	Φ22	320×240	280×200	Φ100	Φ220	Φ180	8-Φ19	
100-350A	340	340	700	1325	180	Φ100	Φ22	320×240	280×200	Φ100	Φ220	Φ180	8-Φ19	
100-350B	340	340	700	1325	180	Φ100	Φ22	320×240	280×200	Φ100	Φ220	Φ180	8-Φ19	
125-100	250	270	391	795	145	Φ125	Φ22	280×220	220×160	Φ125	Φ250	Φ210	8-Φ19	
125-100A	250	270	346	780	145	Φ125	Φ22	280×220	220×160	Φ125	Φ250	Φ210	8-Φ19	
125-125	250	270	432.5	795	145	Φ125	Φ22	280×220	220×160	Φ125	Φ250	Φ210	8-Φ19	
125-125A	250	270	432.5	795	145	Φ125	Φ22	280×220	220×160	Φ125	Φ250	Φ210	8-Φ19	
125-160	250	270	475	940	165	Φ125	Φ22	280×220	220×160	Φ125	Φ250	Φ210	8-Φ19	
125-160A	250	270	432.5	860	165	Φ125	Φ22	280×220	220×160	Φ125	Φ250	Φ210	8-Φ19	
125-160B	250	270	432.5	815	165	Φ125	Φ22	280×220	220×160	Φ125	Φ250	Φ210	8-Φ19	
125-200	280	290	525	1020	160	Φ125	Φ22	280×220	220×160	Φ125	Φ250	Φ210	8-Φ19	
125-200A	280	290	525	1020	160	Φ125	Φ22	280×220	220×160	Φ125	Φ250	Φ210	8-Φ19	
125-200B	280	290	475	915	160	Φ125								

SLS型泵安装尺寸表 SLS type pump dimension table

型号 Type	外形尺寸 Figure dimensions						底脚尺寸 Foot dimensions				进出口法兰尺寸 Flange dimensions			
	L1	L2	B	H	h	DN	d1	B1×C1	B2×C2	DN	D	D1	n-d	
150-250A	340	360	449	900	195	Φ150	Φ22	300×250	260×210	Φ150	Φ285	Φ240	8-Φ23	
150-250B	340	360	449	855	195	Φ150	Φ22	300×250	260×210	Φ150	Φ285	Φ240	8-Φ23	
150-315	380	410	525	1100	195	Φ150	Φ22	310×260	260×210	Φ150	Φ285	Φ240	8-Φ23	
150-315A	380	410	475	1020	195	Φ150	Φ22	310×260	260×210	Φ150	Φ285	Φ240	8-Φ23	
150-315B	380	410	475	980	195	Φ150	Φ22	310×260	260×210	Φ150	Φ285	Φ240	8-Φ23	
150-400	400	410	582.5	1160	200	Φ150	Φ22	310×260	260×210	Φ150	Φ285	Φ240	8-Φ23	
150-400A	400	410	582.5	1135	200	Φ150	Φ22	310×260	260×210	Φ150	Φ285	Φ240	8-Φ23	
150-400B	400	410	525	1105	200	Φ150	Φ22	310×260	260×210	Φ150	Φ285	Φ240	8-Φ23	
150-400C	400	410	475	1025	200	Φ150	Φ22	310×260	260×210	Φ150	Φ285	Φ240	8-Φ23	
150-500	510	510	582.5	1272	240	Φ150	Φ22	360×310	300×250	Φ150	Φ285	Φ240	8-Φ23	
150-500A	510	510	582.5	1272	240	Φ150	Φ22	360×310	300×250	Φ150	Φ285	Φ240	8-Φ23	
150-500B	510	510	565	1200	240	Φ150	Φ22	360×310	300×250	Φ150	Φ285	Φ240	8-Φ23	
200-200G	380	435	475	968	245	Φ200	Φ22	370×300	300×250	Φ200	Φ340	Φ295	12-Φ23	
200-200GA	380	435	432.5	943	245	Φ200	Φ22	370×300	300×250	Φ200	Φ340	Φ295	12-Φ23	
200-250G	400	450	475	1071	235	Φ200	Φ22	370×300	300×250	Φ200	Φ340	Φ295	12-Φ23	
200-250GA	400	450	475	1031	235	Φ200	Φ22	370×300	300×250	Φ200	Φ340	Φ295	12-Φ23	
200-250GB	400	450	420	1006	235	Φ200	Φ22	370×300	300×250	Φ200	Φ340	Φ295	12-Φ23	
200-315G	450	450	582.5	1125	245	Φ200	Φ22	380×300	300×250	Φ200	Φ340	Φ295	12-Φ23	
200-315GA	450	450	582.5	1100	245	Φ200	Φ22	380×300	300×250	Φ200	Φ340	Φ295	12-Φ23	
200-315GB	450	450	525	1075	245	Φ200	Φ22	380×300	300×250	Φ200	Φ340	Φ295	12-Φ23	
200-400G	440	460	700	1280	240	Φ200	Φ22	380×300	300×250	Φ200	Φ340	Φ295	12-Φ23	
200-400GA	440	460	642.5	1210	240	Φ200	Φ22	380×300	300×250	Φ200	Φ340	Φ295	12-Φ23	
200-400GB	440	460	582.5	1215	240	Φ200	Φ22	380×300	300×250	Φ200	Φ340	Φ295	12-Φ23	
200-400GC	440	460	582.5	1190	240	Φ200	Φ22	380×300	300×250	Φ200	Φ340	Φ295	12-Φ23	
200-500G	540	550	898.5	1557	280	Φ200	Φ22	360×310	300×250	Φ200	Φ340	Φ295	12-Φ23	
200-500GA	540	550	700	1407	280	Φ200	Φ22	360×310	300×250	Φ200	Φ340	Φ295	12-Φ23	
200-500GB	540	550	700	1335	280	Φ200	Φ22	360×310	300×250	Φ200	Φ340	Φ295	12-Φ23	
200-500GC	540	550	642.5	1265	280	Φ200	Φ22	360×310	300×250	Φ200	Φ340	Φ295	12-Φ23	
200-200(I)	380	435	525	1078	245	Φ200	Φ22	370×300	300×250	Φ200	Φ340	Φ295	12-Φ23	
200-200(I)A	380	435	475	958	245	Φ200	Φ22	370×300	300×250	Φ200	Φ340	Φ295	12-Φ23	
200-250(I)	400	445	525	1131	235	Φ200	Φ22	370×300	300×250	Φ200	Φ340	Φ295	12-Φ23	
200-250(I)A	400	445	475	1051	235	Φ200	Φ22	370×300	300×250	Φ200	Φ340	Φ295	12-Φ23	
200-250(I)B	400	445	475	1011	235	Φ200	Φ22	370×300	300×250	Φ200	Φ340	Φ295	12-Φ23	
200-315(I)	420	440	642.5	1300	225	Φ200	Φ22	360×300	300×250	Φ200	Φ340	Φ295	12-Φ23	
200-315(I)A	420	440	582.5	1200	225	Φ200	Φ22	360×300	300×250	Φ200	Φ340	Φ295	12-Φ23	
200-315(I)B	420	440	582.5	1175	225	Φ200	Φ22	360×300	300×250	Φ200	Φ340	Φ295	12-Φ23	
200-400(I)	450	490	700	1465	225	Φ200	Φ22	360×310	300×250	Φ200	Φ340	Φ295	12-Φ23	
200-400(I)A	450	490	700	1400	225	Φ200	Φ22	360×310	300×250	Φ200	Φ340	Φ295	12-Φ23	
200-400(I)B	450	490	642.5	1315	225	Φ200	Φ22	360×310	300×250	Φ200	Φ340	Φ295	12-Φ23	
200-400(I)C	450	490	582.5	1215	225	Φ200	Φ22	360×310	300×250	Φ200	Φ340	Φ295	12-Φ23	
200-500(I)	540	550	898.5	1817	280	Φ200	Φ22	360×310	300×250	Φ200	Φ340	Φ295	12-Φ23	
200-500(I)A	540	550	898.5	1717	280	Φ200	Φ22	360×310	300×250	Φ200	Φ340	Φ295	12-Φ23	
200-500(I)B	540	550	700	1505	280	Φ200	Φ22	360×310	300×250	Φ200	Φ340	Φ295	12-Φ23	
200-500(I)C	540	550	700	1455	280	Φ200	Φ22	360×310	300×250	Φ200	Φ340	Φ295	12-Φ23	
250-235	495	570	514	1080	300	Φ250	Φ22	400×350	350×300	Φ250	Φ405	Φ355	12-Φ28	
250-300	530	570	582.5	1125	300	Φ250	Φ22	400×350	350×300	Φ250	Φ405	Φ355	12-Φ28	
250-315	530	570	700	1455	300	Φ250	Φ22	400×350	350×300	Φ250	Φ405	Φ355	12-Φ28	
250-315A	530	570	642.5	1370	300	Φ250	Φ22	400×350	350×300	Φ250	Φ405	Φ355	12-Φ28	

SLS型泵安装尺寸表 SLS type pump dimension table

型号 Type	外形尺寸 Figure dimensions						底脚尺寸 Foot dimensions				进出口法兰尺寸 Flange dimensions			
	L1	L2	B	H	h	DN	d1	B1×C1	B2×C2	DN	D	D1	n-d	
250-315B	530	570	582.5	1180	300	Φ250	Φ22	400×350	350×300	Φ250	Φ405	Φ355	12-Φ28	
250-400	560	640	700	1550	310	Φ250	Φ26	500×400	430×330	Φ250	Φ405	Φ355	12-Φ28	
250-400A	560	640	700	1550	310	Φ250	Φ26	500×400	430×330	Φ250	Φ405	Φ355	12-Φ28	
250-400B	560	640	700	1500	310	Φ250	Φ26	500×400	430×330	Φ250	Φ405	Φ355	12-Φ28	
250-500	620	650	898.5	1880	350	Φ250	Φ26	500×400	450×350	Φ250	Φ405	Φ355	12-Φ28	
250-500A	620	650	898.5	1880	350	Φ250	Φ26	500×400	450×350	Φ250	Φ405	Φ355	12-Φ28	
250-500B	620	650	898.5	1780	350	Φ250	Φ26	500×400	450×350	Φ250	Φ405	Φ355	12-Φ28	
300-250	600	630	642.5	1385	380	Φ300	Φ26	500×400	450×350	Φ300	Φ460	Φ410	12-Φ28	
300-250A	600	630	582.5	1285	380	Φ300	Φ26	500×400	450×350	Φ300	Φ460	Φ410	12-Φ28	
300-300	550	650	761	1557	365	Φ300	Φ26	500×400	430×330	Φ300	Φ460	Φ410	12-Φ28	
300-300A	550	650	749	1472	365	Φ300	Φ26	500×400	430×330	Φ300	Φ460	Φ410	12-Φ28	
300-300B	550	650	749	1372	365	Φ300	Φ26	500×400	430×330	Φ300	Φ460	Φ410	12-Φ28	
300-315	570	630	761	1610	380	Φ300	Φ26	500×400	450×350	Φ300	Φ460	Φ410	12-Φ28	
300-315A	570	630	761	1555	380	Φ300	Φ26	500×400	450×350	Φ300	Φ460	Φ410	12-Φ28	
300-315B	570	630	749	1470	380	Φ300	Φ26	500×400	450×350	Φ300	Φ460	Φ410	12-Φ28	
300-400	595	705	927	1800	360	Φ300	Φ26	530×480	480×430	Φ300	Φ460	Φ410	12-Φ28	
300-400A	595	705	761	1610	360	Φ300	Φ26	530×480	480×430	Φ300	Φ460	Φ410	12-Φ28	
300-450	595	605	980	1920	380	Φ300	Φ26	530×480	480×430	Φ300	Φ460	Φ410	12-Φ28	
300-450A	595	605	980	1820	380	Φ300	Φ26	530×480	480×430	Φ300	Φ460	Φ410	12-Φ28	
300-450B	595	605	761	1610	380	Φ300	Φ26	530×480	480×430	Φ300	Φ460	Φ410	12-Φ28	
300-450C	595	605	761	1545	380	Φ300	Φ26	530×480	480×430	Φ300	Φ460	Φ410	12-Φ28	
300-500	670	750	1055	2015	400	Φ300	Φ26	550×480	480×430	Φ300	Φ460	Φ410	12-Φ28	
300-500A	670	750	982	1780	400	Φ300	Φ26	550×480	480×430	Φ300	Φ460	Φ410	12-Φ28	
300-500B	670	750	982	1780	400	Φ300	Φ26	550×480	480×430	Φ300	Φ460	Φ410	12-Φ28	
300-500C	670	750	982	1670	400	Φ300	Φ26	550×480	480×430	Φ300	Φ460	Φ410	12-Φ28	
350-235	550	690	750	1335	360	Φ350	Φ26	500×450	450×400	Φ350	Φ520	Φ470	16-Φ28	
350-300	550	640	761	1545	360	Φ350	Φ26	500×450	450×400	Φ350	Φ520	Φ470	16-Φ28	
350-315	550	640	761	1605	360	Φ350	Φ26	500×450	450×400	Φ350	Φ520	Φ470	16-Φ28	
350-400	655	745	927	1960	400	Φ350	Φ26	500×450	450×400	Φ350	Φ520	Φ470	16-Φ28	
350-315G	550	640	850	1906	360	Φ350	Φ26	500×450	450×400	Φ350	Φ520	Φ470	16-Φ28	
350-315GA	550	640	850	1806	360	Φ350	Φ26	500×450	450×400	Φ350	Φ520	Φ470	16-Φ28	
350-315GB	550	640	730	1616	360	Φ350	Φ26	500×450	450×400	Φ350	Φ520	Φ470	16-Φ28	
350-400G	655	745	927	1960	400	Φ350	Φ26	500×450	450×400	Φ350	Φ520	Φ470	16-Φ28	
350-400GA	655	745	927	1960	400	Φ350	Φ26	500×450	450×400	Φ350	Φ520	Φ470	16-Φ28	
350-400GB	655	745	927	1800	400	Φ350	Φ26	500×450	450×400	Φ350	Φ520	Φ470	16-Φ28	
350-315(I)	650	700	850	1926	380	Φ350	Φ26	500×450	450×400	Φ350	Φ520	Φ470	16-Φ28	
350-315(I)A	650													

SLS型泵安装尺寸表 SLS type pump dimension table

型号 Type	外形尺寸 Figure dimensions					底脚尺寸 Foot dimensions				进出口法兰尺寸 Flange dimensions			
	L1	L2	B	H	h	DN	d1	B1×C1	B2×C2	DN	D	D1	n-d
350-620GB	820	880	930	2000	460	Φ350	Φ26	550×500	480×430	Φ350	Φ520	Φ470	16-Φ28
350-450	810	890	960	1790	460	Φ350	Φ26	550×500	480×430	Φ350	Φ520	Φ470	16-Φ28
350-450A	810	890	960	1680	460	Φ350	Φ26	550×500	480×430	Φ350	Φ520	Φ470	16-Φ28
350-525	810	890	1055	2020	460	Φ350	Φ26	550×500	480×430	Φ350	Φ520	Φ470	16-Φ28
350-525A	810	890	960	1790	460	Φ350	Φ26	550×500	480×430	Φ350	Φ520	Φ470	16-Φ28
350-525B	810	890	960	1790	460	Φ350	Φ26	550×500	480×430	Φ350	Φ520	Φ470	16-Φ28
350-600	810	890	1055	2050	460	Φ350	Φ26	550×500	480×430	Φ350	Φ520	Φ470	16-Φ28
350-600A	810	890	1055	2050	460	Φ350	Φ26	550×500	480×430	Φ350	Φ520	Φ470	16-Φ28
350-600B	810	890	1055	2050	460	Φ350	Φ26	550×500	480×430	Φ350	Φ520	Φ470	16-Φ28

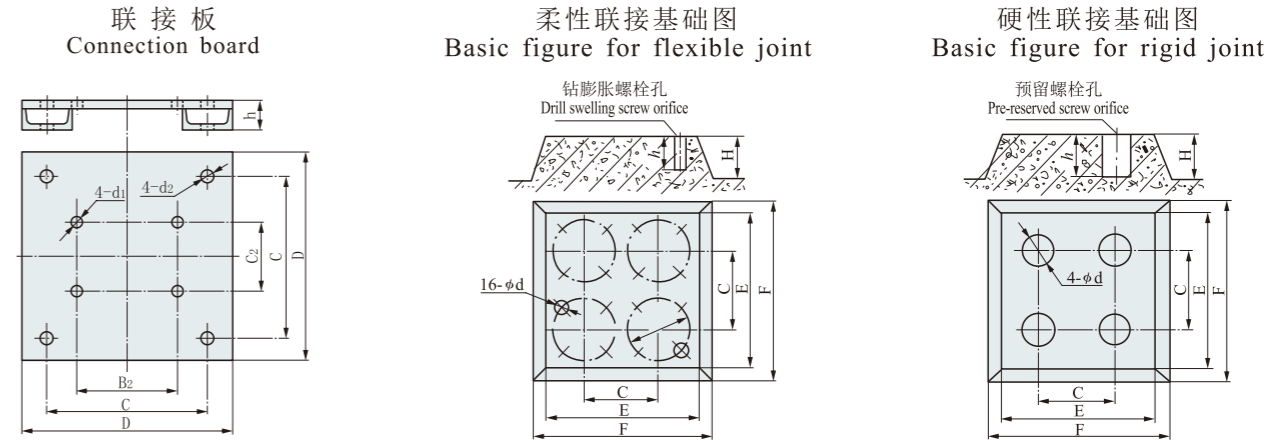
SLSD型泵安装尺寸表 SLSD type pump dimension table

型号 Type	外形尺寸 Figure dimensions					底脚尺寸 Foot dimensions				进出口法兰尺寸 Flange dimensions			
	L1	L2	B	H	h	DN	d1	B1×C1	B2×C2	DN	D	D1	n-d
40-160	160	160	160.5	404	85	Φ40	Φ14	150×100	120×70	Φ40	Φ150	Φ110	4-Φ19
40-200	170	170	237.5	463	95	Φ40	Φ14	170×120	130×80	Φ40	Φ150	Φ110	4-Φ19
40-200A	170	170	310	558	95	Φ40	Φ14	170×120	130×80	Φ40	Φ150	Φ110	4-Φ19
40-250	200	200	267.5	480	95	Φ40	Φ14	170×120	130×80	Φ40	Φ150	Φ110	4-Φ19
40-250A	200	200	255	470	95	Φ40	Φ14	170×120	130×80	Φ40	Φ150	Φ110	4-Φ19
40-250B	200	200	255	470	95	Φ40	Φ14	170×120	130×80	Φ40	Φ150	Φ110	4-Φ19
50-125	150	150	160.5	422	100	Φ50	Φ14	150×100	120×70	Φ50	Φ165	Φ125	4-Φ19
50-160	160	160	237.5	470	100	Φ50	Φ14	170×120	130×80	Φ50	Φ165	Φ125	4-Φ19
50-200	190	190	241	470	100	Φ50	Φ14	170×120	130×80	Φ50	Φ165	Φ125	4-Φ19
50-250	220	220	309	532	100	Φ50	Φ18	200×140	160×100	Φ50	Φ165	Φ125	4-Φ19
50-250A	220	220	309	502	100	Φ50	Φ18	200×140	160×100	Φ50	Φ165	Φ125	4-Φ19
50-250B	220	220	309	502	100	Φ50	Φ18	200×140	160×100	Φ50	Φ165	Φ125	4-Φ19
65-125	165	175	237.5	480	105	Φ65	Φ18	200×140	160×100	Φ65	Φ185	Φ145	4-Φ19
65-160	180	180	237.5	472	105	Φ65	Φ18	200×140	160×100	Φ65	Φ185	Φ145	4-Φ19
65-200	190	190	257.5	495	110	Φ65	Φ18	200×140	160×100	Φ65	Φ185	Φ145	4-Φ19
65-200A	190	190	257.5	495	110	Φ65	Φ18	200×140	160×100	Φ65	Φ185	Φ145	4-Φ19
65-250	240	240	305	560	120	Φ65	Φ18	220×160	180×120	Φ65	Φ185	Φ145	4-Φ19
65-250A	240	240	292	535	120	Φ65	Φ18	220×160	180×120	Φ65	Φ185	Φ145	4-Φ19
65-250B	240	240	292	535	120	Φ65	Φ18	220×160	180×120	Φ65	Φ185	Φ145	4-Φ19
65-315	275	275	327	600	130	Φ65	Φ18	220×160	180×120	Φ65	Φ185	Φ145	4-Φ19
65-315A	275	275	292	545	130	Φ65	Φ18	220×160	180×120	Φ65	Φ185	Φ145	4-Φ19
65-315B	275	275	292	545	130	Φ65	Φ18	220×160	180×120	Φ65	Φ185	Φ145	4-Φ19
80-125	200	200	237.5	510	130	Φ80	Φ18	200×140	160×100	Φ80	Φ200	Φ160	8-Φ19
80-160	200	200	257.5	510	120	Φ80	Φ18	200×140	160×100	Φ80	Φ200	Φ160	8-Φ19
80-200	215	215	287.5	570	125	Φ80	Φ18	200×140	160×100	Φ80	Φ200	Φ160	8-Φ19
80-200A	215	215	257.5	545	125	Φ80	Φ18	200×140	160×100	Φ80	Φ200	Φ160	8-Φ19
80-250	240	240	287.5	585	130	Φ80	Φ18	220×160	180×120	Φ80	Φ200	Φ160	8-Φ19
80-250A	240	240	287.5	585	130	Φ80	Φ18	220×160	180×120	Φ80	Φ200	Φ160	8-Φ19
80-250B	240	240	287.5	585	130	Φ80	Φ18	220×160	180×120	Φ80	Φ200	Φ160	8-Φ19
80-315	290	290	347.5	680	140	Φ80	Φ22	280×220	220×160	Φ80	Φ200	Φ160	8-Φ19
80-315A	290	290	347.5	680	140	Φ80	Φ22	280×220	220×160	Φ80	Φ200	Φ160	8-Φ19
80-315B	290	290	332	615	140	Φ80	Φ22	280×220	220×160	Φ80	Φ200	Φ160	8-Φ19
100-125	215	235	292	573	140	Φ100	Φ18	220×160	180×120	Φ100	Φ220	Φ180	8-Φ19
100-160	240	260	305	603	150	Φ100	Φ18	220×160	180×120	Φ100	Φ220	Φ180	8-Φ19
100-160A	240	260	292	578	150	Φ100	Φ18	220×160	180×120	Φ100	Φ220	Φ180	8-Φ19
100-200	240	240	304.5	596	135	Φ100	Φ18	220×160	180×120	Φ100	Φ220	Φ180	8-Φ19
100-200A	240	240	304.5	596	135	Φ100	Φ18	220×160	180×120	Φ100	Φ220	Φ180	8-Φ19

SLSD型泵安装尺寸表 SLSD type pump dimension table

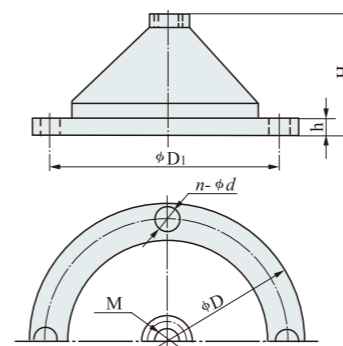
型号 Type	外形尺寸 Figure dimensions						底脚尺寸 Foot dimensions				进出口法兰尺寸 Flange dimensions			
	L1	L2	B	H	h	DN	d1	B1×C1	B2×C2	DN	D	D1	n-d	
100-250	270	270	378	683	145	Φ100	Φ18	220×160	180×120	Φ100	Φ220	Φ180	8-Φ19	
100-250A	270	270	363	628	145	Φ100	Φ18	220×160	180×120	Φ100	Φ220	Φ180	8-Φ19	
100-250B	270	270	363	628	145	Φ100	Φ18	220×160	180×120	Φ100	Φ220	Φ180	8-Φ19	
100-315	315	315	432.5	811	160	Φ100	Φ22	280×220	220×160	Φ100	Φ220	Φ180	8-Φ19	
100-315A	315	315	369	741	160	Φ100	Φ22	280×220	220×160	Φ100	Φ220	Φ180	8-Φ19	
100-315B	315	315	369	741	160	Φ100	Φ22	280×220	220×160	Φ100	Φ220	Φ180	8-Φ19	
125-160	250	270	333	630	165	Φ125	Φ22	280×220	220×160	Φ125	Φ250	Φ210	8-Φ19	
125-200	280	290	412	737	160	Φ125	Φ22	280×220	220×160	Φ125	Φ250	Φ210	8-Φ19	
125-200A	280	290	412	672	160	Φ125	Φ22	280×220	220×160	Φ125	Φ250	Φ210	8-Φ19	
125-250	330	350	386.5	790	200	Φ125	Φ22	280×220	220×160	Φ125	Φ250	Φ210	8-Φ19	
125-250A	330	350	386.5	790	200	Φ125	Φ22	280×220	220×160	Φ125	Φ250	Φ210	8-Φ19	
125-250B	330	350	386.5	750	200	Φ125	Φ22	280×220	220×160	Φ125	Φ250	Φ210	8-Φ19	
125-315	340	345	450	893	195	Φ125	Φ22	360×310	300×250	Φ125	Φ250	Φ210	8-Φ19	
125-315A	340	345	450	848	195	Φ125	Φ22	360×310	300×250	Φ125	Φ250	Φ210	8-Φ19	
125-315B	340	345	450	848	195	Φ125	Φ22	360×310	300×250	Φ125	Φ250	Φ210	8-Φ19	
125-125(I)	280	320	320	590	180	Φ125	Φ22	280×220	220×160	Φ125	Φ250	Φ210	8-Φ19	
125-160(I)	280	320	333	630	180	Φ125	Φ22	280×220	220×160	Φ125	Φ250	Φ210	8-Φ19	
125-160(I)A	280	320	310	600	180	Φ125	Φ22	280×220	220×160	Φ125	Φ250	Φ210	8-Φ19	
125-200(I)	310	350	412	737	190	Φ125	Φ22	280×220	220×160	Φ125	Φ250	Φ210	8-Φ19	
125-200(I)A	310	350	400	710	190	Φ125	Φ22	280×220	220×160	Φ125	Φ250	Φ210	8-Φ19	
125-250(I)	340	370	387	790	195	Φ125	Φ22	280×220	220×160	Φ125	Φ250	Φ210	8-Φ19	
125-250(I)A	340	370	372	770	195	Φ125	Φ22	280×220	220×160	Φ125	Φ250	Φ210	8-Φ19	
125-250(I)B	340	370	361	750	195	Φ125	Φ22	280×220	220×160	Φ125	Φ250	Φ210	8-Φ19	
125-315(I)	340	345	450	893	195	Φ125	Φ22	360×310	300×250	Φ125	Φ250	Φ210	8-Φ19	
125-315(I)A	340	345	440	848	195	Φ125	Φ22	360×310	300×250	Φ125	Φ250	Φ210	8-Φ19	
125-315(I)B	340	345	430	778	195	Φ125	Φ22	360×310	300×250	Φ125	Φ250	Φ210	8-Φ19	
125-400(I)	400	400	575	1088	200	Φ125	Φ22	360×310	300×250	Φ125	Φ250	Φ210	8-Φ19	
125-400(I)A	400	400	560	1050	200	Φ125	Φ22	360×310	300×250	Φ125	Φ250	Φ210	8-Φ19	
125-400(I)B	400	400	545	1025	200	Φ125	Φ22	360×310	300×250	Φ125	Φ250	Φ210	8-Φ19	
125-400(I)C	400	400	530	1000	200	Φ125	Φ22	360×310	300×250	Φ125	Φ250	Φ210	8-Φ19	

泵附件及安装基础图表 Pump spare parts and installation basic figure table



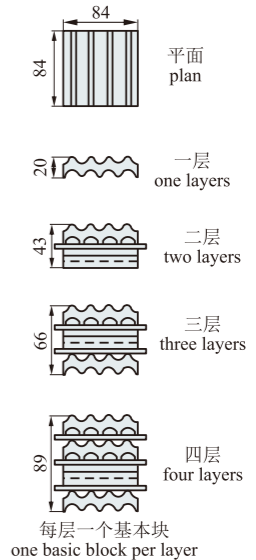
型号 Type	联接板尺寸 Connection board dimensions				柔性联接基础尺寸 Basic dimensions for flexible joint					硬性联接基础尺寸 Basic dimensions for rigid joint									
	B2×C2	C×C	D×D	h	d1	d	H	E	F	C	ΦD	Φd	h	H	E	F	C	Φd	h
SLS-1	120×70	240×240	300×300	55	Φ14	Φ12	200	450	500	240	/	/	/	100	450	500	240	60	200
SLS-2	130×80	240×240	300×300	55	Φ14	Φ12	200	450	500	240	/	/	/	100	450	500	240	60	200
SLS-3	160×100	340×340	400×400	55	Φ18	Φ14	250	650	700	340	同 隔 振 器 D1 Copper vibration isolator D1	Φ14.5	60	150	650	700	340	80	250
SLS-4	180×120	340×340	400×400	55	Φ18	Φ14	250	650	700	340		Φ14.5	60	150	650	700	340	80	250
SLS-5	200×140	340×340	400×400	55	Φ22	Φ18	250	650	700	340		Φ14.5	60	150	650	700	340	80	250
SLS-6	220×160	340×340	400×400	55	Φ22	Φ18	250	650	700	340		Φ14.5	60	150	650	700	340	80	250
SLS-7	240×120	340×340	400×400	55	Φ22	Φ18	250	650	700	340		Φ14.5	60	150	650	700	340	80	250
SLS-8	260×210	440×440	500×500	55	Φ22	Φ18	300	750	800	440		Φ14.5	60	200	750	800	440	80	250
SLS-9	280×190	440×440	500×500	55	Φ22	Φ18	300	750	800	440		Φ14.5	60	200	750	800	440	80	250
SLS-10	280×200	440×440	500×500	55	Φ22	Φ18	300	750	800	440		Φ14.5	60	200	750	800	440	80	250
SLS-11	280×230	440×440	500×500	55	Φ22	Φ18	300	750	800	440		Φ14.5	60	200	750	800	440	80	250
SLS-12	300×250	540×540	600×600	55	Φ22	Φ18	300	850	950	540		Φ14.5	60	200	850	950	540	80	250
SLS-13	350×300	540×540	600×600	55	Φ22	Φ18	300	850	950	540		Φ14.5	60	200	850	950	540	80	250
SLS-14	400×300	740×740	800×800	55	Φ26	Φ22	350	1000	1100	740		Φ14.5	60	250	1000	1100	740	80	300
SLS-15	430×330	740×740	800×800	55	Φ26	Φ22	350	1000	1100	740		Φ14.5	60	250	1000	1100	740	80	300
SLS-16	450×350	740×740	800×800	55	Φ26	Φ22	350	1000	1100	740		Φ14.5	60	250	1000	1100	740	80	300
SLS-17	450×400	740×740	800×800	55	Φ26	Φ22	350	1000	1100	740		Φ14.5	60	250	1000	1100	740	80	300
SLS-18	480×430	840×840	900×900	55	Φ26	Φ22	350	1200	1300	840		Φ14.5	60	250	1200	1300	840	80	300
SLS-19	480×400	740×740	800×800	55	Φ26	Φ22	350	1000	1100	740		Φ14.5	60	250	1000	1100	740	80	300

JG型隔振器安装尺寸
Installation dimensions for vibration isolator

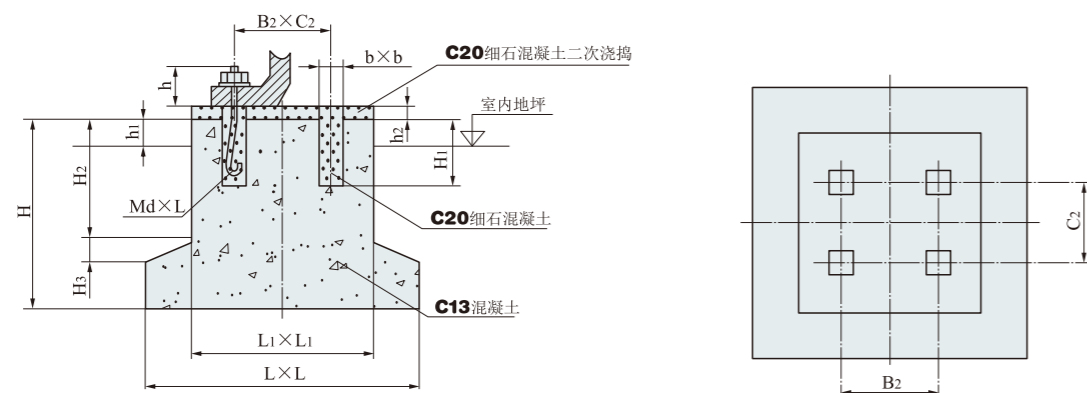


型号 Type	M	D	D1	H	d	h
JG1-2	M10	100	80	43	8.5	4
JG2-2	M12	150	130	65	8.5	4
JG3-2	M16	200	170	87	12.5	4
JG4-2	M20	290	260	133	12.5	4

SD隔振垫
SD Vibration-insulating pad



SLS型泵无隔振安装基础图 Installation basic drawing for SLS type pump non-isolation



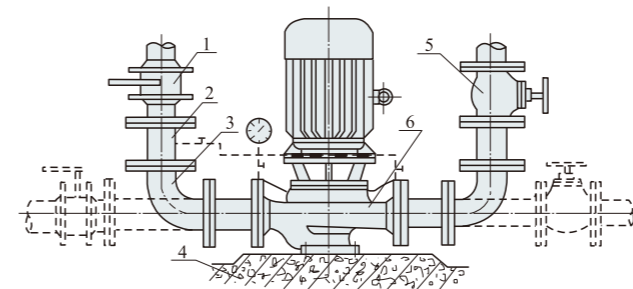
超过500公斤重量水泵无隔振基础尺寸表 Table of basic dimension for over-500kg non-isolation water pump

型号 Type	B ₂	C ₂	b	L	L ₁	H	H ₁	H ₂	H ₃	h	h ₁	h ₂	Md×L
100-315	220	160	100	850	650	880	400	550	80	65	50	50	M20×400
100-350	280	200	100	900	730	880	400	550	80	70	50	50	M20×400
125-250	220	160	100	850	650	880	400	550	80	65	50	50	M20×400
125-315	300	250	100	950	750	880	400	550	80	65	50	50	M20×400
150-400	260	210	100	900	700	880	400	550	80	65	50	50	M20×400
150-500	300	250	100	950	750	880	400	550	80	65	50	50	M20×400
200-315G	300	250	100	950	750	880	400	550	80	65	50	50	M20×400
200-400G	300	250	100	950	750	880	400	550	80	65	50	50	M20×400
200-500G	300	250	100	950	750	880	400	550	80	65	50	50	M20×400
200-200(I)	300	250	100	950	750	880	400	550	80	65	50	50	M20×400
200-250(I)	300	250	100	950	750	880	400	550	80	65	50	50	M20×400
200-315(I)	300	250	100	950	750	880	400	550	80	65	50	50	M20×400
200-400(I)	300	250	100	950	750	880	400	550	80	65	50	50	M20×400
250-235	350	300	100	1000	800	880	400	550	80	65	50	50	M20×400
250-300	350	300	100	1000	800	880	400	550	80	65	50	50	M20×400
250-315	350	300	100	1000	800	880	400	550	80	65	50	50	M20×400
250-400	430	330	120	1100	850	1100	500	750	90	90	50	50	M24×500
250-500	450	350	120	1200	900	1100	500	750	90	100	50	50	M24×500
300-235	400	300	120	1100	850	1100	500	750	90	90	50	50	M24×500
300-250	450	350	120	1100	850	1100	500	750	90	90	50	50	M24×500
300-300	430	330	120	1100	850	1100	500	750	90	90	50	50	M24×500
300-315	450	350	120	1200	900	1100	500	750	90	100	50	50	M24×500
300-450	480	430	120	1400	1000	1400	500	915	100	120	50	50	M24×500
300-500	480	430	120	1400	1000	1400	500	915	100	120	50	50	M24×500
350-235	450	400	120	1200	900	1100	500	750	90	120	50	50	M24×500
350-300	450	400	120	1200	900	1100	500	750	90	120	50	50	M24×500
350-315	450	400	120	1200	900	1100	500	750	90	120	50	50	M24×500
350-400	450	400	120	1200	900	1100	500	750	90	120	50	50	M24×500
350-450	450	400	120	1200	900	1100	500	750	90	120	50	50	M24×500
350-525	480	430	120	1400	1000	1400	500	915	100	120	50	50	M24×500
350-600	480	430	120	1400	1000	1400	500	915	100	120	50	50	M24×500
350-315G	450	400	120	1200	900	1100	500	750	90	120	50	50	M24×500
350-400G	450	400	120	1200	900	1100	500	750	90	120	50	50	M24×500
350-450G	480	430	120	1400	1000	1400	500	915	100	120	50	50	M24×500
350-525G	480	430	120	1400	1000	1400	500	915	100	120	50	50	M24×500
350-620G	480	430	120	1400	1000	1400	500	915	100	120	50	50	M24×500
350-315(I)	450	400	120	1200	900	1100	500	750	90	120	50	50	M24×500
350-400(I)	450	400	120	1200	900	1100	500	750	90	120	50	50	M24×500

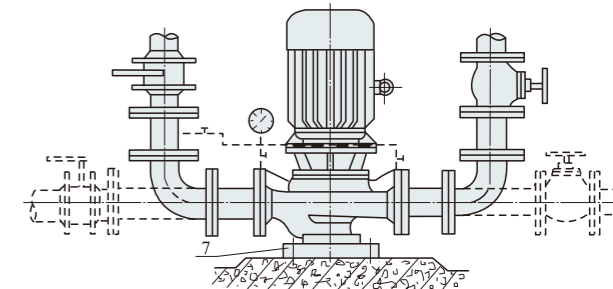
泵的安装方式 Installation methods for pump

一、硬性联接 Rigid joint

1、直接安装
Direct mounting



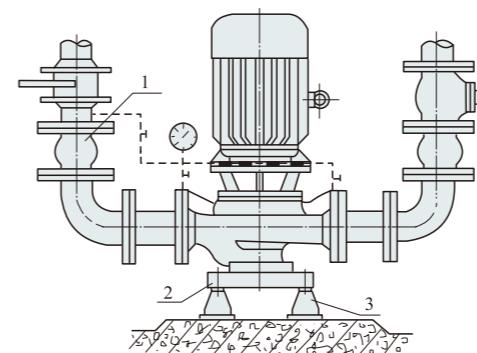
2、联接板安装
Mounted with connection board



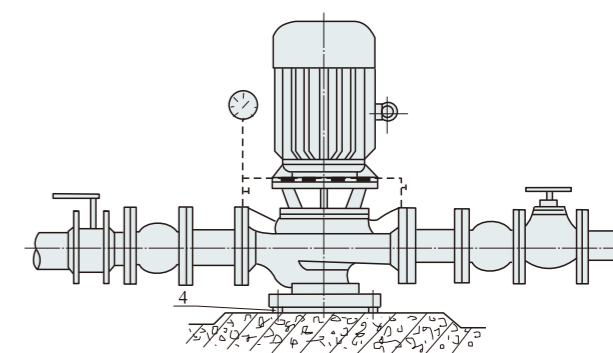
1、进口阀门 inlet valve 2、取压直管 pressure-picking straight tube 3、弯管 bent tube 4、水泥浇注基础 adope cement pouring basement 5、出口阀门 outlet valve 6、泵 pump 7、联接板 connection board

二、柔性联接 Soft joint

1、配联接板，加隔振器安装
Mounted with connection board and vibration isolator

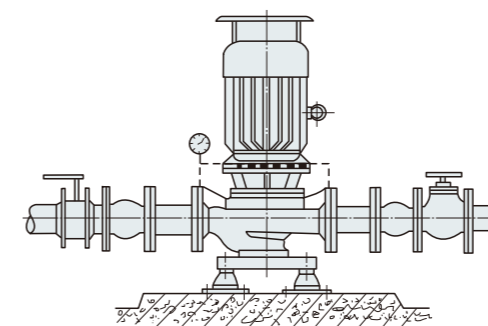


2、配联接板加隔振垫安装
Mounted with connection board and vibration-insulating pad

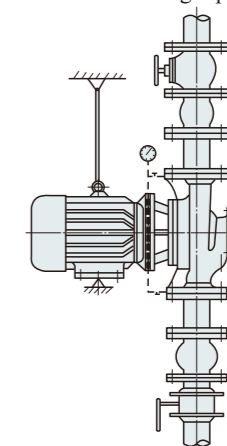


1、挠性接头 flexible joint 2、联接板 connection board 3、JG型隔振器 JG vibration isolator 4、SD型隔振垫 SD vibration-insulating pads

3、户外使用，采用IP54电机(户外型)
For outdoor usage adopt IP54 motor(outdoor type)



4、悬臂卧式使用安装
Partial usage projects



注：隔振器用膨胀螺栓固定在基础上
Note: The vibration isolator is fixed on the base by the help of expansion screws.

管路损耗参考表 Reference table for pipeline loss

管径 Pipe diameter (mm)	流 量 Capacity (L/s)									
	1	2	4	6	8	10	15	20	25	30
25	32.7	13.0								
38	3.5	14	55							
50	0.8	3.1	13	29						
65		1.6	3.2	7.1	13	20				
75		0.4	0.8	3.3	5.9	9.6	21.6			
100			0.23	0.8	1.3	2.1	6.8	8.6	13	19.4
125				0.23	0.4	0.63	1.3	2.7	4.1	5.9
150					0.16	0.26	0.58	1.1	1.6	2.3
175						0.11	0.27	0.5	0.74	1.05
200							0.13	0.26	0.37	0.53
250								0.07	0.12	0.18
300										0.07

直管摩擦损失简表 (供估计用) 100m直管损失系数以新铸铁管为标准, 旧管加倍。
Brief table for the frictional loss of a straight pipe (for evaluation), the lost meters of a 100m straight pipe takes the newly cast iron pipe as the standard and multiple for the old one.

阀及弯管折合直管长度(每个)
The length of a straight pipe converted into from both valve and elbow(each)

种类 Variety	折合直管直径倍数 Convert into the times of the diameter of a straight pipe	备注 Remark
标准弯管 Standard elbow	12	未畅开加倍 Multiple in case of unopen
全开闸阀 Fully opened gate valve	25	
逆止阀 Back valve	100	
底阀 Foot valve	100	部分堵塞加倍 Partial block-up multiplied

注: 例如100mm直管, 底阀折合100倍直管等于100×100=10000mm=10m直管长度, 假定流量为8L/s查上表, 直管每100m损失1.3m, 则10m损失0.13m, 即一个100mm底阀, 流量为8L/s时, 则损失扬程0.13m。
Note: For instance, a 100mm diameter pipe, the foot valve has a 100×100=10000mm=10m diameter when which is converted into 100 times that of the pipe's diameter. Suppose the flow is 8L/s, looked into the above table, the loss of the straight pipe is 1.3m each 100m, then the one for 100mm is 0.13m, that is, for a 100mm foot valve with a flow 8L/s, its head loss is 0.13m.

一定管径直径之最大流量限制
Limit of the maximum flow for a pipe with a certain diameter

管径直径 Pipeline diameter (mm)	最大流量 Maximum flow (L/s)	最大流速 Maximum flow rate (m/s)	管径直径 Pipeline diameter (mm)	最大流量 Maximum flow (L/s)	最大流速 Maximum flow rate (m/s)
25	1	2.04	125	30.0	2.44
38	2.5	1.69	150	43.0	2.45
50	4.17	2.12	175	60.0	2.49
65	6.67	2.01	200	83.3	2.69
75	10.0	2.26	250	133.0	2.72
100	18.4	2.33	300	192.0	2.71

注: 超过此限使管路损失显著增加。
Note: The pipeline loss would be made greatly increased once the limit is over.

